



42CLS-W Series

*Chilled Water Fan Coil Unit
Ceiling Concealed - Duct Type*

Nominal: 400-2,000 CFM



World's No.1 Air Conditioning Expert

www.carrier.co.th

42CLS-W Series



Furred-in ceiling model 400 - 2000 cfm

The low silhouette styling of this unit makes it a popular choice for in-the-ceiling or over-the-closet applications in all types of buildings, particularly in apartments, hotels and motels.



Furred-in ceiling model with plenum 400 - 2000 cfm

This adaptation of the basic ducted fan-coil unit includes a factory-installed plenum section that helps you cut field fabrication and labor costs. It's quiet too. The plenum section is fully lined with PE-FOAM insulation. Throwaway or cleanable filters are available.



Ceiling model with cabinet 400 - 2000 cfm

This enclosed edition of the basic 42CH unit features a cabinet fabricated from tough, 18-gage galvanized steel, with removable access panels that are lined with PE-FOAM insulation. Cabinet can be factory painted on special order.

Model number nomenclature

| 1 | 2 | 3 | 4 | 5 | 6 | 7 | 8 | 9 | 10 | 11 | 12 | 13 | 14 | Digit Number |
|---|---|---|---|---|---|---|---|---|----|----|----|----|----|---------------|
| 4 | 2 | C | L | S | 0 | 0 | 4 | W | 2 | 1 | 0 | R | O | Standard Unit |

42CLS - "Carrier" Fan Coil Unit Model

Size/Nominal Air Flow

| | |
|-----------------|-----------------|
| 004 = 400 CFM | 012 = 1,200 CFM |
| 006 = 600 CFM | 014 = 1,400 CFM |
| 008 = 800 CFM | 016 = 1,600 CFM |
| 010 = 1,000 CFM | 020 = 2,000 CFM |

Coil Type

W - Chilled Water Coil

Casing Options

- O = Without Return Plenum (Standard)
- P = With Return Plenum and Filter (option)
- E = With Cabinet (option)

Coil Connecting

- R = Right Hand
- L = Left Hand

Motor

- 0 = Standard with AC motor
- 1 = With VSD motor (option)
- 2 = With DC motor (option)
- 4 = Ac Motor, UVC Lamp (option)
- 5 = VSD Motor, UVC Lamp (option)
- 6 = DC Motor, UVC Lamp (option)

Power supply

- 1 = 220v / 1Ph / 50Hz.
- 3 = 380v / 3Ph / 50Hz.

CoilRow

- 2 = 2 Rows
- 3 = 3 Rows
- 4 = 4 Rows



The Compact and Practical 42CLS Fan Coil Units

The Carrier 42CLS horizontal furred-in Fan Coils are quiet, compact and flexible. Nominal air quantity range from 400 cfm to 2000 cfm. These units are engineered for industrial and medium static pressure.

Features

- Ultra-compact design-saves installation space
- High efficiency heat transfer surface
- Super quiet operation
- Low installation and maintenance cost
- Easy wiring / piping connections
- Installed with direct driven forward curved centrifugal fan and 4-speed high efficient motor
- Minimum power requirement for significant money saving to the owners
- Insulated drain pan
- Requires no expensive ductwork
- Ideal for new construction or renovation

Physical data

| Description | | Chilled Water Coil - Ceiling Concealed Duct Type | | | | | | | |
|------------------------------------|-----------------------|---|--------|-------------|--------|-------------|--------|-------------|--------|
| Model Name | | 42CLS | | | | | | | |
| | | 004W2 | 004W3 | 006W2 | 006W3 | 008W3 | 008W4 | 010W3 | 010W4 |
| Cooling Capacity | W | 3,810 | 4,757 | 5,897 | 6,732 | 8,444 | 9,610 | 9,590 | 11,553 |
| | Btu/hr. | 13,000 | 16,230 | 20,120 | 22,970 | 28,810 | 32,790 | 32,720 | 39,420 |
| Power Supply | V/Ph/Hz | 220/1/50 | | | | | | | |
| Power Consumption | W | 112 | | 169 | | 178 | | 226 | |
| Operating Current | Amp. | 0.51 | | 0.77 | | 0.81 | | 1.21 | |
| Indoor Air Circulation, Max. | m ³ /h | 680 | | 1,020 | | 1,360 | | 1,700 | |
| | cfm | 400 | | 600 | | 800 | | 1,000 | |
| Sound pressure level (L/M/H/Turbo) | dBA | 28/33/38/44 | | 28/32/37/42 | | 34/40/46/50 | | 29/37/43/48 | |
| Fan Motor | Type | PSC (Permanent Split Capacitor 4speed) / BLDC with optional | | | | | | | |
| | Q'ty | 1 | | 1 | | 1 | | 1 | |
| Blower | Type | Double Inlet Centrifugal Forward Curve Blade | | | | | | | |
| | Dia. x Length | 6 x 7 | | 6 x 7 | | 6 x 8 | | 6 x 8 | |
| | Drive type | Direct | | Direct | | Direct | | Direct | |
| | Q'ty | 2 | | 2 | | 2 | | 2 | |
| Connecting Pipe | Water Inlet | 5/8 | | 5/8 | | 5/8 | | 5/8 | |
| | Water Outlet | 5/8 | | 5/8 | | 5/8 | | 5/8 | |
| | Water connecting type | Brazing | | Brazing | | Brazing | | Brazing | |
| | Drain O.D. | 3/4 | | 3/4 | | 3/4 | | 3/4 | |

| Description | | Chilled Water Coil - Ceiling Concealed Duct Type | | | | | | | |
|------------------------------------|-----------------------|---|--------|-------------|--------|-------------|--------|-------------|--------|
| Model Name | | 42CLS | | | | | | | |
| | | 012W3 | 012W4 | 014W3 | 014W4 | 016W3 | 016W4 | 020W3 | 020W4 |
| Cooling Capacity | W | 11,594 | 14,083 | 13,303 | 15,659 | 15,191 | 17,128 | 18,754 | 22,207 |
| | Btu/hr. | 39,560 | 48,050 | 45,390 | 53,430 | 51,830 | 58,440 | 63,990 | 75,770 |
| Power Supply | V/Ph/Hz | 220/1/50 | | | | | | | |
| Power Consumption | W | 353 | | 375 | | 513 | | 489 | |
| Operating Current | Amp. | 1.61 | | 1.70 | | 2.35 | | 2.33 | |
| Indoor Air Circulation, Max. | m ³ /h | 2,040 | | 2,380 | | 2,720 | | 3,400 | |
| | cfm | 1,200 | | 1,400 | | 1,600 | | 2,000 | |
| Sound pressure level (L/M/H/Turbo) | dBA | 33/40/46/51 | | 36/42/49/54 | | 33/45/53/57 | | 40/48/54/58 | |
| Fan Motor | Type | PSC (Permanent Split Capacitor 4speed) / BLDC with optional | | | | | | | |
| | Q'ty | 1 | | 1 | | 1 | | 1 | |
| Blower | Type | Double Inlet Centrifugal Forward Curve Blade | | | | | | | |
| | Dia. x Length | 6 x 9 | | 7 x 8 | | 8 x 9 | | 8 x 9 | |
| | Drive type | Direct | | Direct | | Direct | | Direct | |
| | Q'ty | 2 | | 2 | | 2 | | 2 | |
| Connecting Pipe | Water Inlet | 5/8 | | 3/4 | | 3/4 | | 3/4 | |
| | Water Outlet | 5/8 | | 3/4 | | 3/4 | | 3/4 | |
| | Water connecting type | Brazing | | Brazing | | Brazing | | Brazing | |
| | Drain O.D. | 3/4 | | 3/4 | | 3/4 | | 3/4 | |

Note: - All data for standard product.

* Nominal Capacity based on : EAT 80°Fdb/67°Fwb, CHWT 44/54°F

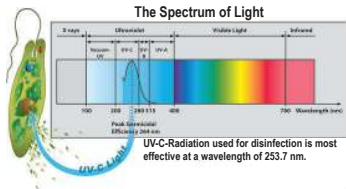
Accessories (Optional)

UV Lamps

In response to the current coronavirus epidemic situation, sterilization option using UltraViolet (UV) is available for FCU products.

UV light for kill germs in a wide range of wavelengths between 200 to 400 (nm) which is highly effective in killing bacteria and reduces the formation of viruses by breaking down the molecular bonds that hold their DNA and RNA together.

UV-C at this wavelength, is the wavelength that DNA can absorb well can be punched and disabled their growth. By destroying their DNA sequence When doing this, the virus will lose their ability to reproduce.



UV-C rays are not found in nature because these rays cannot pass through the ozone layer to the earth's surface. The use of this type of radiation to destroy the infection requires a source of radiation. Including mercury lamps

Advantages of UV-C lamp

- 253.7nm UV-C lamp, no generate ozone.
- High-energy UV-C, effective life is up to 8000 hours.
- Stainless steel reflector enhances the radiation intensity and avoids direct exposure to the human body.
- Able to kill bacteria in the air and prevent the virus from spreading through the host bacteria
- Plug-in products for easy installation.
- External control box, 220VAC standard power supply, simple wiring.

Product Details and Specifications

| Product | Units | FCU | |
|-----------------------------|--------------------|--------------|-----------|
| Part Number | | TUV15WT8 | TUV30WT8 |
| Lamp power | W | 16 | 30 |
| UV-Cradiation Power | W | 4.9 | 12.0 |
| Power supply | V | 220 VAC 50Hz | |
| Length | mm | 438 | 895 |
| Recommended irradiationarea | uW/cm ² | 48 | 100 |
| Recommended air flow | CFM | 170-600 | 470-2,000 |

Nano Silver Titanium Filter Technology

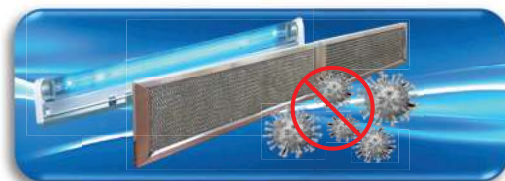
Ag-TiO2 Properties

- Get rid of bad odor
- Environmentally friendly
- Nano coating filter
- Self bacteria killed, anti-virus and fungi



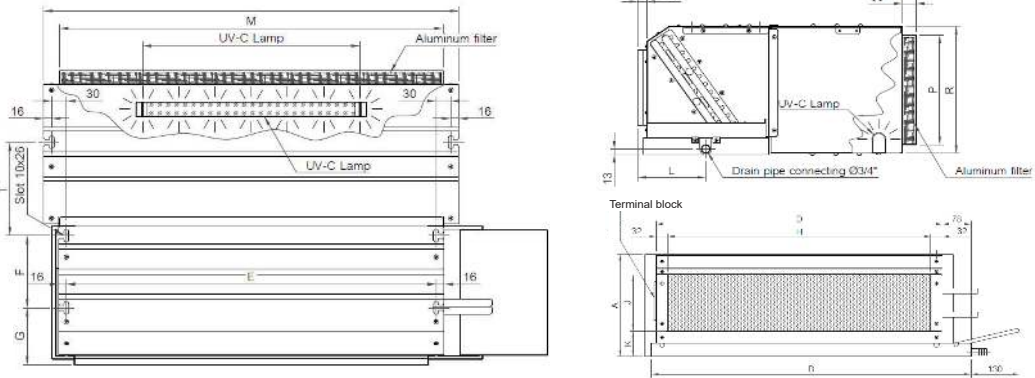
Photo-catalyst oxidation

Through the combination of photo-catalyst and UV lamp, it can effectively degraded of formaldehyde and other TVOC pollutants. What's more!! , Ultraviolet light irradiates on silver titanium dioxide nanoparticles (photo-catalyst filter), to produce hydroxyl radical (OH[•]) and Superoxide anions (O₂⁻) which are highly oxidizing and can damage cell walls, rendering bacteria and virus instantly inactive.



Accessories (Optional)

Dimension data UVC lamp

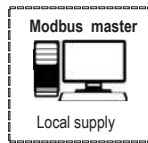


| MODEL | Dimensions | | | | | | | | | | | | | | | | UV-C Lamp | | Q'ty |
|--------------|------------|------|-----|------|------|-----|-----|------|-----|----|-----|------|------|-----|-----|-----|------------|--------|------|
| | A | B | C | D | E | F | G | H | J | K | L | M | N | O | P | Q | Lamp Model | Length | |
| 42CLS004W2_P | 237 | 898 | 573 | 776 | 745 | 225 | 51 | 712 | 135 | 76 | 108 | 772 | 836 | 192 | 242 | 177 | TUV15WT8 | 438 | 1 |
| 42CLS004W3_P | 287 | 867 | 591 | 776 | 745 | 145 | 115 | 712 | 158 | 72 | 143 | 772 | 836 | 240 | 290 | 188 | TUV15WT8 | 438 | 1 |
| 42CLS006W2_P | 287 | 867 | 483 | 776 | 745 | 145 | 115 | 712 | 158 | 72 | 143 | 772 | 836 | 240 | 290 | 188 | TUV15WT8 | 438 | 2 |
| 42CLS006W3_P | 287 | 918 | 591 | 827 | 795 | 145 | 115 | 762 | 158 | 72 | 143 | 823 | 887 | 240 | 290 | 188 | TUV15WT8 | 438 | 2 |
| 42CLS008W3_P | 287 | 995 | 591 | 904 | 872 | 145 | 115 | 839 | 158 | 72 | 143 | 899 | 963 | 240 | 290 | 188 | TUV15WT8 | 438 | 2 |
| 42CLS008W4_P | 287 | 1070 | 591 | 980 | 948 | 145 | 115 | 915 | 158 | 72 | 143 | 975 | 1039 | 240 | 290 | 188 | TUV30WT8 | 895 | 1 |
| 42CLS010W3_P | 287 | 1147 | 591 | 1056 | 1024 | 145 | 115 | 991 | 158 | 72 | 143 | 1051 | 1115 | 240 | 290 | 188 | TUV30WT8 | 895 | 1 |
| 42CLS010W4_P | 333 | 1070 | 640 | 980 | 948 | 145 | 115 | 915 | 206 | 72 | 143 | 975 | 1039 | 287 | 338 | 212 | TUV30WT8 | 895 | 1 |
| 42CLS014W3_P | 333 | 1147 | 640 | 1056 | 1024 | 145 | 115 | 991 | 206 | 72 | 143 | 1051 | 1115 | 287 | 338 | 212 | TUV30WT8 | 895 | 1 |
| 42CLS014W4_P | 333 | 1274 | 640 | 1183 | 1151 | 145 | 115 | 1118 | 206 | 72 | 143 | 1178 | 1242 | 287 | 338 | 212 | TUV30WT8 | 895 | 1 |
| 42CLS016W3_P | | | | | | | | | | | | | | | | | | | |
| 42CLS016W4_P | | | | | | | | | | | | | | | | | | | |
| 42CLS020W3_P | | | | | | | | | | | | | | | | | | | |
| 42CLS020W4_P | | | | | | | | | | | | | | | | | | | |

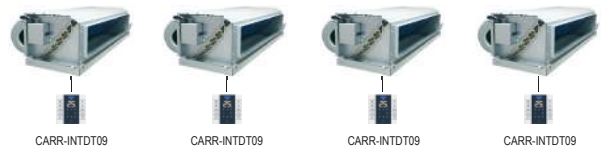
BAS controller

Model : CARR-INTM9DT09X

- Open communication protocol Modbus RS-485
- Manages the DC motor or EC motor
- Manages the valve actuator proportional type
- External contract for key card ON-OFF



RS-485 MAX 246 Indoor / group



Controller

Control box and cable set 4 meters,
not exceeding 60,000 BTUH (1 Motor)



CARR-INTM9BOX1M
THERMOSTAT PCB9 BOX 1 MOTOR



CARR-INTMXDT09-UV
CONTROL(DT09)+WIRE REMOTE UV



CARR-INTM9DT09X
CONTROLLER PCB9 WIFI+MODBUS



CARR-INTLCD54
Wireless remote control



CARR-INTLCD54-UV
Wireless remote control+UV



CARR-INTDT09
Wired remote control (Option-1)



CARR-INTDT09-WIFI
Wired remote control (Option-2)

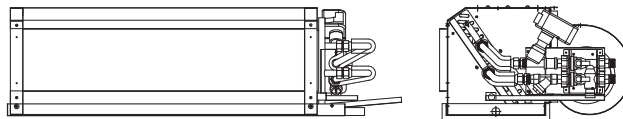


CCARR-INTDT09-UV
Wired remote control (Option-3)

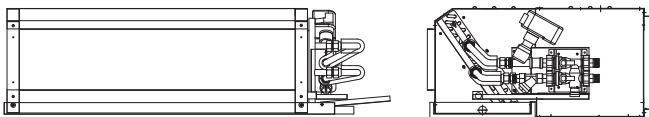
Built in PICV (Option)

Factory assembled nest of valves and accessories help installers avoid installation mistakes onsite.

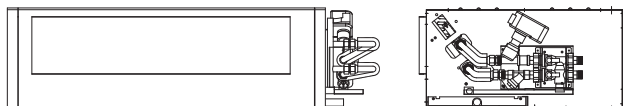
PICV without plenum ▶



PICV with plenum ▶

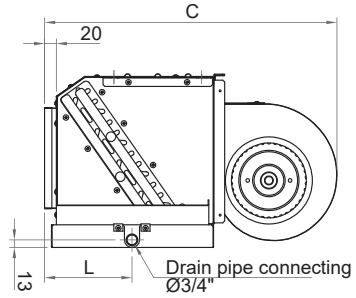
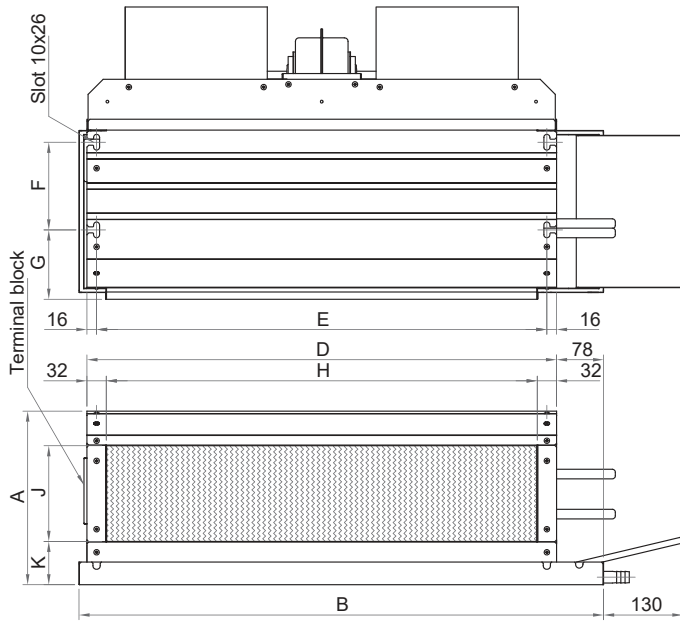


PICV with cabinet ▶



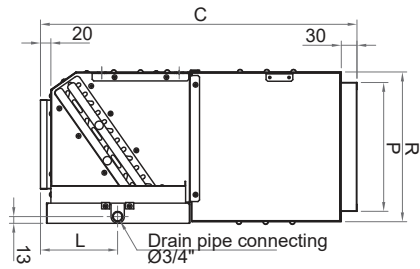
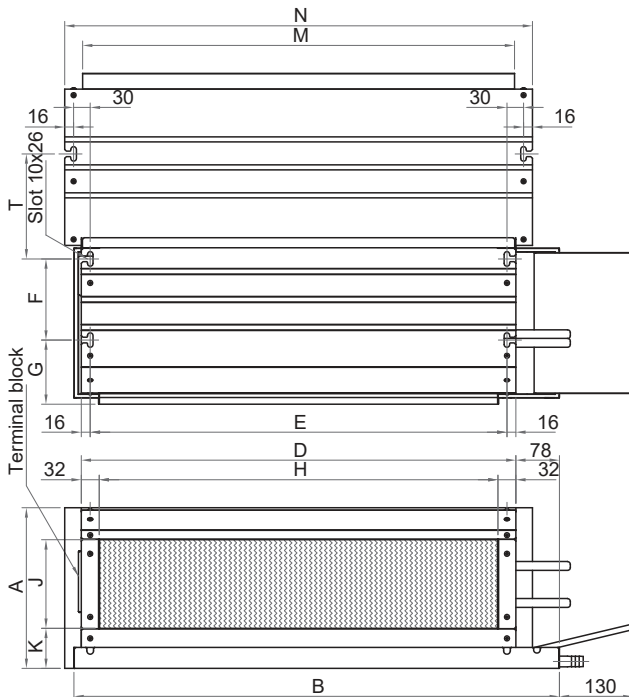
Unit dimensions

Model : 42CLS004W-020W WITHOUT PLENUM (STANDARD)



| Model | Dimensions | | | | | | | | | | |
|--------------|------------|------|-----|------|------|-----|-----|------|-----|----|-----|
| | A | B | C | D | E | F | G | H | J | K | L |
| 42CLS00421_O | 237 | 898 | 503 | 776 | 745 | 225 | 51 | 712 | 135 | 76 | 108 |
| 42CLS00431_O | 287 | 867 | 483 | 776 | 745 | 145 | 115 | 712 | 158 | 72 | 143 |
| 42CLS00621_O | 287 | 867 | 483 | 776 | 745 | 145 | 115 | 712 | 158 | 72 | 143 |
| 42CLS00631_O | 287 | 867 | 483 | 776 | 745 | 145 | 115 | 712 | 158 | 72 | 143 |
| 42CLS00831_O | 287 | 918 | 500 | 827 | 795 | 145 | 115 | 762 | 158 | 72 | 143 |
| 42CLS00841_O | 287 | 995 | 500 | 904 | 872 | 145 | 115 | 839 | 158 | 72 | 143 |
| 42CLS01031_O | 287 | 1070 | 500 | 980 | 948 | 145 | 115 | 915 | 158 | 72 | 143 |
| 42CLS01041_O | 287 | 1147 | 500 | 1056 | 1024 | 145 | 115 | 991 | 158 | 72 | 143 |
| 42CLS01231_O | 333 | 1070 | 546 | 980 | 948 | 145 | 115 | 915 | 206 | 72 | 143 |
| 42CLS01241_O | 333 | 1147 | 546 | 1056 | 1024 | 145 | 115 | 991 | 206 | 72 | 143 |
| 42CLS01431_O | 333 | 1147 | 546 | 1056 | 1024 | 145 | 115 | 991 | 206 | 72 | 143 |
| 42CLS01441_O | 333 | 1147 | 546 | 1056 | 1024 | 145 | 115 | 991 | 206 | 72 | 143 |
| 42CLS01631_O | 333 | 1147 | 546 | 1056 | 1024 | 145 | 115 | 991 | 206 | 72 | 143 |
| 42CLS01641_O | 333 | 1147 | 546 | 1056 | 1024 | 145 | 115 | 991 | 206 | 72 | 143 |
| 42CLS02031_O | 333 | 1274 | 546 | 1183 | 1151 | 145 | 115 | 1118 | 206 | 72 | 143 |
| 42CLS02041_O | 333 | 1274 | 546 | 1183 | 1151 | 145 | 115 | 1118 | 206 | 72 | 143 |

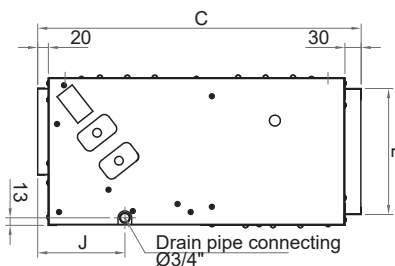
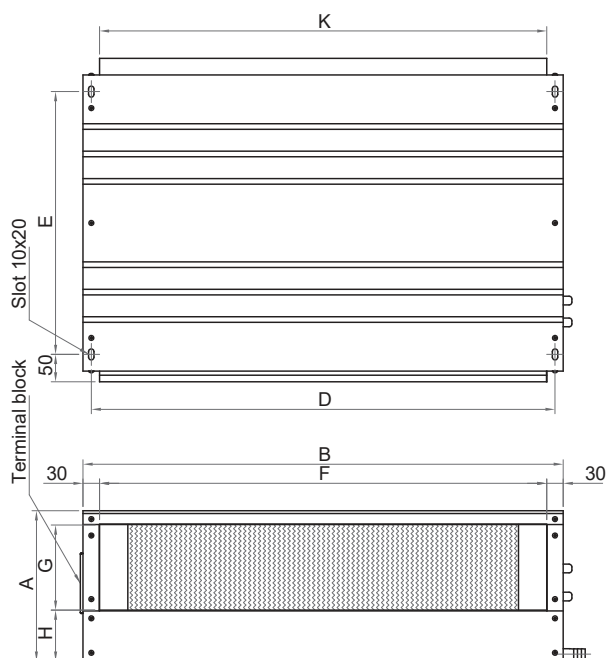
Model : 42CLS004W-020W WITH PLENUM (OPTION)



| Model | Dimensions | | | | | | | | | | | | | | | |
|--------------|------------|------|-----|------|------|-----|-----|------|-----|----|-----|------|------|-----|-----|-----|
| | A | B | C | D | E | F | G | H | J | K | L | M | N | P | R | T |
| 42CLS00421_P | 237 | 898 | 573 | 776 | 745 | 225 | 51 | 712 | 135 | 76 | 108 | 772 | 836 | 192 | 242 | 177 |
| 42CLS00431_P | 287 | 867 | 591 | 776 | 745 | 145 | 115 | 712 | 158 | 72 | 143 | 772 | 836 | 240 | 290 | 188 |
| 42CLS00621_P | 287 | 867 | 591 | 776 | 745 | 145 | 115 | 712 | 158 | 72 | 143 | 772 | 836 | 240 | 290 | 188 |
| 42CLS00631_P | 287 | 867 | 591 | 776 | 745 | 145 | 115 | 712 | 158 | 72 | 143 | 772 | 836 | 240 | 290 | 188 |
| 42CLS00831_P | 287 | 918 | 591 | 827 | 795 | 145 | 115 | 762 | 158 | 72 | 143 | 823 | 887 | 240 | 290 | 188 |
| 42CLS00841_P | 287 | 995 | 591 | 904 | 872 | 145 | 115 | 839 | 158 | 72 | 143 | 899 | 963 | 240 | 290 | 188 |
| 42CLS01031_P | 287 | 1070 | 591 | 980 | 948 | 145 | 115 | 915 | 158 | 72 | 143 | 975 | 1039 | 240 | 290 | 188 |
| 42CLS01041_P | 287 | 1147 | 591 | 1056 | 1024 | 145 | 115 | 991 | 158 | 72 | 143 | 1051 | 1115 | 240 | 290 | 188 |
| 42CLS01231_P | 333 | 1070 | 640 | 980 | 948 | 145 | 115 | 915 | 206 | 72 | 143 | 975 | 1039 | 287 | 338 | 212 |
| 42CLS01241_P | 333 | 1147 | 640 | 1056 | 1024 | 145 | 115 | 991 | 206 | 72 | 143 | 1051 | 1115 | 287 | 338 | 212 |
| 42CLS01431_P | 333 | 1147 | 640 | 1056 | 1024 | 145 | 115 | 991 | 206 | 72 | 143 | 1051 | 1115 | 287 | 338 | 212 |
| 42CLS01441_P | 333 | 1147 | 640 | 1056 | 1024 | 145 | 115 | 991 | 206 | 72 | 143 | 1051 | 1115 | 287 | 338 | 212 |
| 42CLS01631_P | 333 | 1147 | 640 | 1056 | 1024 | 145 | 115 | 991 | 206 | 72 | 143 | 1051 | 1115 | 287 | 338 | 212 |
| 42CLS01641_P | 333 | 1147 | 640 | 1056 | 1024 | 145 | 115 | 991 | 206 | 72 | 143 | 1051 | 1115 | 287 | 338 | 212 |
| 42CLS02031_P | 333 | 1274 | 640 | 1183 | 1151 | 145 | 115 | 1118 | 206 | 72 | 143 | 1178 | 1242 | 287 | 338 | 212 |
| 42CLS02041_P | 333 | 1274 | 640 | 1183 | 1151 | 145 | 115 | 1118 | 206 | 72 | 143 | 1178 | 1242 | 287 | 338 | 212 |

Unit dimensions

Model : 42CLS004W-020W WITH CABINET (OPTION)



| Model | Dimensions | | | | | | | | | | |
|---------------|------------|------|-----|------|------|------|-----|----|-----|------|-----|
| | A | B | C | D | E | F | G | H | J | K | L |
| 42CLS00421__E | 232 | 875 | 555 | 845 | 460 | 815 | 140 | 68 | 115 | 815 | 185 |
| 42CLS00431__E | | | | | | | | | | | |
| 42CLS00621__E | 280 | 875 | 589 | 845 | 479 | 815 | 160 | 93 | 159 | 815 | 230 |
| 42CLS00631__E | | | | | | | | | | | |
| 42CLS00831__E | 280 | 875 | 589 | 845 | 479 | 160 | 815 | 93 | 159 | 815 | 230 |
| 42CLS00841__E | | | | | | | | | | | |
| 42CLS01031__E | 280 | 926 | 589 | 896 | 479 | 866 | 160 | 93 | 159 | 866 | 230 |
| 42CLS01041__E | 280 | 1002 | 589 | 972 | 479 | 942 | 160 | 93 | 159 | 942 | 230 |
| 42CLS01231__E | 280 | 1078 | 589 | 1048 | 479 | 1018 | 160 | 93 | 159 | 1018 | 230 |
| 42CLS01241__E | 280 | 1154 | 589 | 1124 | 479 | 1094 | 160 | 93 | 159 | 1094 | 230 |
| 42CLS01431__E | 323 | 1078 | 639 | 1048 | 529 | 1018 | 205 | 88 | 159 | 1018 | 275 |
| 42CLS01441__E | 323 | 1154 | 639 | 1124 | 1094 | 529 | 205 | 88 | 159 | 1094 | 275 |
| 42CLS01631__E | 323 | 1154 | 639 | 1124 | 529 | 1094 | 205 | 88 | 159 | 1094 | 275 |
| 42CLS01641__E | | | | | | | | | | | |
| 42CLS02031__E | 323 | 1281 | 639 | 1251 | 529 | 1221 | 205 | 88 | 159 | 1221 | 275 |
| 42CLS02041__E | | | | | | | | | | | |

Weight

| Model | | Weight (kg) | | |
|-------|-------|--|------------------------------|-------------------------------|
| | | Standard Fan Coil Unit (without plenum) | Fan Coil Unit with plenum | Fan Coil Unit with cabinet |
| 42CLS | 004W2 | 18 | 22 | 24 |
| | 004W3 | 19 | 23 | 25 |
| | 006W2 | 21 | 25 | 27 |
| | 006W3 | 23 | 27 | 29 |
| | 008W3 | 24 | 28 | 30 |
| | 008W4 | 25 | 30 | 32 |
| | 010W3 | 27 | 31 | 34 |
| | 010W4 | 29 | 34 | 37 |
| | 012W3 | 30 | 36 | 39 |
| | 012W4 | 33 | 39 | 42 |
| | 014W3 | 34 | 40 | 44 |
| | 014W4 | 37 | 43 | 47 |
| | 016W3 | 37 | 44 | 48 |
| | 016W4 | 40 | 47 | 51 |
| | 020W3 | 41 | 49 | 54 |
| | 020W4 | 46 | 54 | 58 |

Performance data 42CLS-W Model

| MODEL | Entering Chilled Water Temp. °F | Entering Air Temp (°Fdb /°Fwb) | | | | | | | | | | | | | | | |
|------------|------------------------------------|--------------------------------|----------------------------|-------------------------------|-------------------------------|-------------------------|----------------------------|-------------------------------|-------------------------------|-------------------------|----------------------------|-------------------------------|-------------------------------|-------------------------|----------------------------|-------------------------------|-------------------------------|
| | | 76 / 63 | | | | 78 / 65 | | | | 80 / 67 | | | | 82 / 69 | | | |
| | | Total Capacity btu/h | Sensible Capacity btu/h | Chilled Water Flowrate gpm | Water Pressure Drop ft.wg. | Total Capacity btu/h | Sensible Capacity btu/h | Chilled Water Flowrate gpm | Water Pressure Drop ft.wg. | Total Capacity btu/h | Sensible Capacity btu/h | Chilled Water Flowrate gpm | Water Pressure Drop ft.wg. | Total Capacity btu/h | Sensible Capacity btu/h | Chilled Water Flowrate gpm | Water Pressure Drop ft.wg. |
| 42CLS004W2 | 40 | 12,200 | 9,700 | 2.44 | 7.6 | 14,100 | 10,300 | 2.82 | 9.6 | 16,200 | 11,000 | 3.24 | 12.3 | 18,400 | 11,600 | 3.67 | 15.3 |
| | 45 | 9,400 | 8,300 | 1.87 | 4.7 | 10,700 | 8,800 | 2.14 | 6.0 | 12,300 | 9,300 | 2.46 | 7.7 | 14,500 | 10,000 | 2.89 | 10.0 |
| | 50 | 6,900 | 6,900 | 1.38 | 2.8 | 7,800 | 7,400 | 1.56 | 3.5 | 9,200 | 8,000 | 1.84 | 4.6 | 10,700 | 8,500 | 2.13 | 5.9 |
| 42CLS004W3 | 40 | 15,500 | 11,400 | 3.08 | 8.4 | 17,700 | 12,200 | 3.53 | 10.7 | 20,200 | 13,000 | 4.02 | 13.3 | 22,700 | 13,800 | 4.52 | 16.5 |
| | 45 | 11,700 | 9,700 | 2.33 | 5.3 | 13,600 | 10,400 | 2.72 | 6.8 | 15,800 | 11,000 | 3.14 | 8.7 | 18,300 | 11,800 | 3.64 | 11.3 |
| | 50 | 8,400 | 8,100 | 1.68 | 3.0 | 9,800 | 8,700 | 1.96 | 3.8 | 11,600 | 9,300 | 2.32 | 5.2 | 13,700 | 10,000 | 2.74 | 6.9 |
| 42CLS006W2 | 40 | 19,000 | 14,800 | 3.78 | 11.1 | 21,800 | 15,800 | 4.35 | 14.3 | 25,000 | 16,800 | 4.99 | 18.0 | 28,400 | 17,800 | 5.65 | 22.5 |
| | 45 | 14,400 | 12,700 | 2.88 | 6.9 | 16,600 | 13,500 | 3.31 | 8.8 | 19,200 | 14,300 | 3.83 | 11.4 | 22,400 | 15,300 | 4.47 | 14.9 |
| | 50 | 10,600 | 10,500 | 2.11 | 4.1 | 12,100 | 11,400 | 2.42 | 5.2 | 14,200 | 12,200 | 2.84 | 6.8 | 16,500 | 13,000 | 3.30 | 8.8 |
| 42CLS006W3 | 40 | 21,900 | 16,500 | 4.36 | 7.0 | 25,000 | 17,500 | 4.98 | 8.8 | 28,500 | 18,600 | 5.67 | 11.1 | 32,100 | 19,700 | 6.40 | 13.8 |
| | 45 | 16,500 | 14,000 | 3.29 | 4.3 | 19,200 | 15,000 | 3.84 | 5.6 | 22,200 | 15,900 | 4.43 | 7.3 | 25,600 | 17,000 | 5.11 | 9.3 |
| | 50 | 12,000 | 11,700 | 2.39 | 2.4 | 13,900 | 12,600 | 2.78 | 3.2 | 16,300 | 13,500 | 3.26 | 4.3 | 19,200 | 14,400 | 3.84 | 5.6 |
| 42CLS008W3 | 40 | 26,900 | 21,100 | 5.36 | 6.3 | 30,900 | 22,400 | 6.15 | 8.0 | 35,300 | 23,800 | 7.03 | 10.1 | 40,100 | 25,200 | 7.99 | 12.7 |
| | 45 | 20,100 | 17,900 | 4.01 | 3.8 | 23,300 | 19,100 | 4.66 | 5.0 | 27,200 | 20,300 | 5.43 | 6.5 | 31,600 | 21,700 | 6.30 | 8.4 |
| | 50 | 14,800 | 14,700 | 2.95 | 2.1 | 16,900 | 16,000 | 3.38 | 2.8 | 19,800 | 17,200 | 3.96 | 3.7 | 23,300 | 18,400 | 4.65 | 5.0 |
| 42CLS008W4 | 40 | 30,600 | 22,800 | 6.09 | 7.6 | 34,900 | 24,200 | 6.94 | 9.6 | 39,600 | 25,700 | 7.88 | 12.0 | 44,600 | 27,200 | 8.88 | 14.7 |
| | 45 | 23,100 | 19,400 | 4.61 | 4.7 | 26,900 | 20,600 | 5.36 | 6.1 | 31,100 | 22,000 | 6.20 | 7.9 | 35,800 | 23,400 | 7.14 | 10.0 |
| | 50 | 16,700 | 16,200 | 3.34 | 2.6 | 19,500 | 17,400 | 3.90 | 3.5 | 22,900 | 18,600 | 4.58 | 4.6 | 26,900 | 19,800 | 5.38 | 6.1 |
| 42CLS010W3 | 40 | 30,800 | 24,400 | 6.13 | 6.0 | 35,200 | 25,800 | 7.01 | 7.6 | 40,300 | 27,400 | 8.03 | 9.6 | 45,800 | 29,100 | 9.13 | 12.1 |
| | 45 | 23,100 | 20,700 | 4.61 | 3.7 | 26,700 | 22,100 | 5.34 | 4.7 | 31,100 | 23,500 | 6.21 | 6.1 | 36,000 | 25,000 | 7.17 | 7.9 |
| | 50 | 17,000 | 17,000 | 3.40 | 2.1 | 19,500 | 18,500 | 3.89 | 2.7 | 22,800 | 20,000 | 4.55 | 3.6 | 26,700 | 21,300 | 5.32 | 4.7 |
| 42CLS010W4 | 40 | 37,200 | 27,900 | 7.40 | 6.7 | 42,300 | 29,600 | 8.42 | 8.3 | 48,100 | 31,500 | 9.58 | 10.5 | 54,300 | 33,300 | 10.81 | 12.9 |
| | 45 | 28,000 | 23,700 | 5.59 | 4.1 | 32,500 | 25,300 | 6.48 | 5.3 | 37,700 | 27,000 | 7.53 | 6.9 | 43,300 | 28,600 | 8.64 | 8.7 |
| | 50 | 20,300 | 19,900 | 4.06 | 2.2 | 23,600 | 21,400 | 4.71 | 3.0 | 27,800 | 22,800 | 5.55 | 4.0 | 32,500 | 24,300 | 6.50 | 5.3 |
| 42CLS012W3 | 40 | 37,200 | 29,400 | 7.41 | 7.1 | 42,800 | 31,200 | 8.53 | 9.1 | 48,800 | 33,100 | 9.72 | 11.5 | 55,500 | 35,100 | 11.05 | 14.3 |
| | 45 | 28,000 | 25,000 | 5.59 | 4.4 | 32,500 | 26,700 | 6.48 | 5.6 | 37,600 | 28,400 | 7.51 | 7.3 | 43,700 | 30,200 | 8.71 | 9.5 |
| | 50 | 20,600 | 20,600 | 4.12 | 2.5 | 23,700 | 22,400 | 4.74 | 3.3 | 27,600 | 24,000 | 5.52 | 4.3 | 32,300 | 25,700 | 6.46 | 5.6 |
| 42CLS012W4 | 40 | 44,800 | 33,600 | 8.93 | 4.3 | 51,000 | 35,700 | 10.17 | 5.4 | 58,400 | 38,000 | 11.62 | 6.9 | 65,900 | 40,300 | 13.13 | 8.5 |
| | 45 | 33,400 | 28,400 | 6.66 | 2.6 | 39,200 | 30,400 | 7.81 | 3.4 | 45,600 | 32,500 | 9.10 | 4.5 | 52,500 | 34,600 | 10.48 | 5.7 |
| | 50 | 24,000 | 23,600 | 4.80 | 1.3 | 27,900 | 25,400 | 5.57 | 1.8 | 33,200 | 27,300 | 6.63 | 2.6 | 39,400 | 29,300 | 7.87 | 3.5 |
| 42CLS014W3 | 40 | 42,800 | 34,000 | 8.52 | 6.0 | 49,100 | 36,000 | 9.78 | 7.7 | 56,200 | 38,300 | 11.19 | 9.7 | 63,800 | 40,500 | 12.71 | 12.2 |
| | 45 | 32,100 | 28,900 | 6.41 | 3.7 | 37,300 | 30,800 | 7.45 | 4.8 | 43,200 | 32,800 | 8.61 | 6.2 | 50,200 | 34,900 | 10.02 | 8.0 |
| | 50 | 23,700 | 23,700 | 4.74 | 2.1 | 27,300 | 25,900 | 5.45 | 2.8 | 31,600 | 27,800 | 6.31 | 3.6 | 37,200 | 29,700 | 7.43 | 4.8 |
| 42CLS014W4 | 40 | 49,900 | 38,000 | 9.94 | 5.2 | 56,800 | 40,200 | 11.31 | 6.6 | 65,000 | 42,800 | 12.95 | 8.3 | 73,600 | 45,400 | 14.66 | 10.3 |
| | 45 | 37,400 | 32,200 | 7.46 | 3.2 | 43,500 | 34,300 | 8.68 | 4.1 | 50,700 | 36,700 | 10.11 | 5.4 | 58,300 | 39,000 | 11.64 | 6.9 |
| | 50 | 27,000 | 26,800 | 5.39 | 1.7 | 31,200 | 28,800 | 6.23 | 2.3 | 37,100 | 31,000 | 7.40 | 3.1 | 43,600 | 33,100 | 8.72 | 4.2 |
| 42CLS016W3 | 40 | 48,700 | 38,600 | 9.69 | 8.1 | 56,000 | 41,000 | 11.15 | 10.4 | 64,000 | 43,500 | 12.74 | 13.1 | 72,600 | 46,100 | 14.45 | 16.4 |
| | 45 | 36,700 | 32,900 | 7.32 | 5.0 | 42,600 | 35,100 | 8.50 | 6.5 | 49,100 | 37,200 | 9.80 | 8.3 | 57,200 | 39,700 | 11.42 | 10.8 |
| | 50 | 27,200 | 27,200 | 5.44 | 2.9 | 31,200 | 29,500 | 6.22 | 3.8 | 36,100 | 31,600 | 7.20 | 4.9 | 42,400 | 33,800 | 8.47 | 6.4 |
| 42CLS016W4 | 40 | 54,700 | 42,100 | 10.89 | 6.1 | 62,300 | 44,600 | 12.41 | 7.7 | 71,400 | 47,500 | 14.22 | 9.8 | 80,900 | 50,300 | 16.11 | 12.1 |
| | 45 | 41,100 | 35,800 | 8.20 | 3.7 | 47,600 | 38,100 | 9.49 | 4.8 | 55,400 | 40,700 | 11.06 | 6.3 | 63,900 | 43,200 | 12.75 | 8.1 |
| | 50 | 29,700 | 29,700 | 5.94 | 2.0 | 34,500 | 32,200 | 6.90 | 2.8 | 40,600 | 34,400 | 8.10 | 3.7 | 47,600 | 36,700 | 9.50 | 4.8 |
| 42CLS020W3 | 40 | 60,100 | 47,700 | 11.97 | 10.5 | 68,800 | 50,500 | 13.71 | 13.4 | 79,000 | 53,600 | 15.73 | 17.0 | 89,500 | 56,800 | 17.83 | 21.2 |
| | 45 | 45,200 | 40,700 | 9.02 | 6.4 | 52,500 | 43,300 | 10.48 | 8.3 | 60,700 | 46,100 | 12.11 | 10.8 | 70,400 | 48,900 | 14.05 | 14.0 |
| | 50 | 33,800 | 33,800 | 6.74 | 3.9 | 38,500 | 36,500 | 7.69 | 4.9 | 44,500 | 39,100 | 8.89 | 6.3 | 52,300 | 41,700 | 10.45 | 8.3 |
| 42CLS020W4 | 40 | 70,800 | 53,900 | 14.11 | 8.5 | 80,800 | 57,100 | 16.08 | 10.7 | 92,300 | 60,800 | 18.39 | 13.5 | 104,300 | 64,400 | 20.77 | 16.8 |
| | 45 | 53,300 | 45,800 | 10.64 | 5.2 | 61,900 | 48,800 | 12.34 | 6.7 | 71,900 | 52,000 | 14.34 | 8.8 | 82,900 | 55,400 | 16.54 | 11.2 |
| | 50 | 38,800 | 38,200 | 7.76 | 3.0 | 44,800 | 41,100 | 8.95 | 3.8 | 52,700 | 44,000 | 10.52 | 5.1 | 62,000 | 47,000 | 12.39 | 6.8 |

Remark : Shown cooling capacity based on max air flow rate, Chilled water temp rise 10°F.

บริษัท แครีเยอร์ (ประเทศไทย) จำกัด

1858/63-74 ชั้น 14, 15

ถ.เทพรัตน กม. 4.5 แขวงบางนาใต้

เขตบางนา กรุงเทพฯ 10260

โทร. 0-2090-9999 แฟกซ์: 0-2751-4778

Carrier (Thailand) Ltd.

1858/63-74 , 14th, 15th Floor,

Debaratna Road, Km.4.5, Bangna Tai,

Bangna Bangkok 10260 Thailand

Tel. 0-2090-9999 Fax: 0-2751-4778

บริษัท ขอสงวนสิทธิ์ที่จะเปลี่ยนแปลงรายละเอียดข้างต้น โดยไม่ต้องแจ้งให้ทราบล่วงหน้า
Carrier reserves the right to make changes in specifications without prior notice.



YOUR CARRIER MAN :