



40RBU / 38LHU, 38ASU Series

Air Handling Unit - Split System, R-410a

Nominal Capacity : 120,000-800,000 Btuh



40RBU Series



These air handling units offer customized arrangement with Carrier's renown dependability.

The **40RBU** air handlers provide an efficient source of conditioned air for factories, shops, offices or restaurants. Coupled with appropriate condensing unit, the **40RBU Series** produce nominal capacities from 120,000 to 800,000 btu/hr.

Slim proportions (less than 910 mm. deep For 40RBU012 to 40RBU040) allow these units to be floor-mounted or ceiling-suspended.

(40RBU050-080 cannot swap blower direction at jobsite) Must be selected Horizontal or Vertical when ordering.

Compatible with



38LHU Series

38LHU, 38ASU Series

Air-cooled condensing units designed for easy installation reliability and service.

Features

- Fully hermetic Scroll compressor with high efficiency and reliability
- Reliable operation
- Flexible air discharge configuration (for 38LHU)
- Environment friendly with R-410a refrigerant



38ASU150S301-300S301

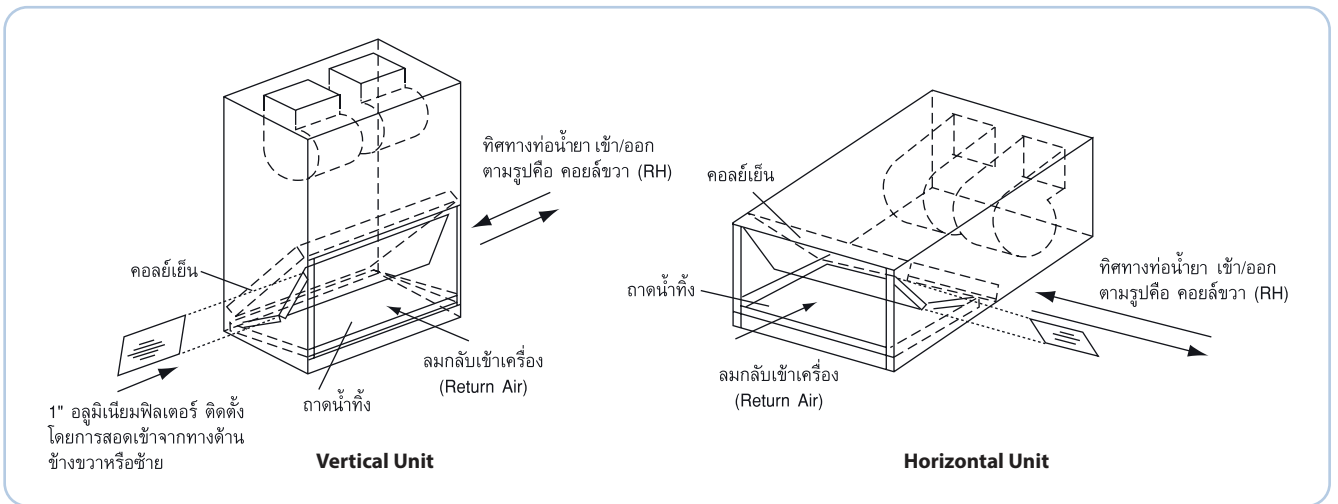


38ASU400S301-600S301

Physical data

Model		CDU	38LHU					38ASU					
			120S301	150S301	200S301	150S301	200S301	240S301	300S301	400S301	500S301	600S301	2 x 400S301
Description		AHU	40RBU-X										
			012	015	020	015	020	025	030	040	050	060	080
Normal Capacity	Cooling Capacity *	btu/h	120,000	150,000	200,000	150,000	200,000	240,000	300,000	400,000	500,000	600,000	800,000
	Air Flowrate	cfm	4,000	5,400	7,500	5,400	7,500	8,600	10,700	13,000	15,000	20,000	25,500
Refrigerant			R-410a										
CDU													
Operating Weight		kg	260	295	335	390	450	480	510	950	1,100	1,200	2 x 950
Power Supply		V/Ph/Hz	380/3/50										
Power Consumption		W	11,130	13,380	16,850	13,380	17,630	22,260	26,760	33,270	42,520	56,320	2 x 33,270
Operating Current		Amp.	21.20	27.50	32.40	25.50	33.30	42.30	55.00	59.80	79.10	100.50	2 x 59.8
Dimension	Width	mm	1,040	1,050	1,050	1,940	1,940	1,940	1,940	2,050	2,250	2,250	2,050
	Height	mm	1,050	1,150	1,150	970	970	1,122	1,122	1,300	1,420	1,420	1,300
	Depth	mm	1,080	1,190	1,190	1,040	1,040	1,040	1,040	2,795	3,020	3,020	2,795
Condenser Coil	Coil Arrangement	row / fpi	2/18	2/18	3/15	2/15	2/15	2/15	2/18	2/18	4/18	4/18	2/18
	Coil / Fin Material	Cu/Al	Cu/Al	Cu/Al	Cu/Al	Cu/Al	Cu/Al	Cu/Al	Cu/Al	Cu/Al	Cu/Al	Cu/Al	Cu/Al
	No. of circuit		1	1	1	2	2	2	2	2	2	2	2 x 2
Compressor	Type		Scroll										
	No. of compressor(s)		1	1	1	2	2	2	2	2	2	2	2 x 2
	Capacity steps		0/100	0/100	0/100	0/50/100	0/50/100	0/50/100	0/50/100	0/50/100	0/50/100	0/50/100	0/25/50/100
Condenser fan	Type		Propeller, Direct Drive										
	Q'ty....Diameter	inch	1...28"	1...28"	1...30"	2...24"	2...24"	2...28"	2...28"	4...24"	4...28"	4...28"	4...24"
	Fan motor power input	W	630	630	756	2x366	2x366	2x630	2x630	4x366	4x630	4x630	4x366
	Fan motor power supply	V/Ph/Hz	380/3/50	380/3/50	380/3/50	380/3/50	380/3/50	380/3/50	380/3/50	380/3/50	380/3/50	380/3/50	380/3/50
Safety Device	Hi-Pressure Switch	psig	600 +2S / 420 +15 (Cut out / Cut in) - Auto Restart type										
	Low-Pressure Switch	psig	65 +5 / 115 +5 (Cut out / Cut in) - Auto Restart type										
Refrigerant	Type		R-410A										
	Pre-Charging from Factory	kg. x Circuit	1.3 x 1	1.3 x 1	1.3 x 1	1.00 x 2	1.00 x 2	1.50 x 2	2.00 x 2	2.00 x 2	2.00 x 2	2.00 x 2	2.00 x 4
Pipe Connection	Liquid pipe dia.	Q'ty...inch	1/2"	5/8"	7/8"	2...1/2 (Flare)	2...1/2 (Flare)	2...1/2 (Flare)	2...5/8 (Flare)	2...7/8 (Flare)	2...7/8 (Flare)	2...7/8 (Flare)	4...7/8 (Flare)
	Suction pipe dia.	Q'ty...inch	1-1/8"	1-1/8"	1-3/8"	2...7/8 (Flare)	2...1-1/8 (Brazing)	2...1-1/8 (Brazing)	2...1-1/8 (Brazing)	2...1-3/8 (Brazing)	2...1-5/8 (Brazing)	2...1-5/8 (Brazing)	4...1-3/8 (Brazing)
AHU													
Operating Weight		kg	195	230	282	230	282	304	505	525	850	1,000	1,110
Power Supply		V/Ph/Hz	380/3/50										
Air Flow rate Range		cfm	3,400 - 4,100	4,400 - 5,400	6,100 - 7,600	4,400 - 5,400	6,100 - 7,600	7,000 - 8,600	8,600-10,800	10,500-13,100	12,700-19,000	15,200-22,800	20,500-29,000
Cooling Coil	Coil Arrangement	row / fpi	3/14	3/14	3/14	3/14	3/14	4/14	4/14	4/14	3/15	4/15	4/15
	Coil Face Area	sq.ft	8.35	10.91	15.23	10.91	15.23	17.39	21.72	26.30	40.17	40.17	51.04
	Coil / Fin Material	Cu/Al	Cu/Al	Cu/Al	Cu/Al	Cu/Al	Cu/Al	Cu/Al	Cu/Al	Cu/Al	Cu/Al	Cu/Al	Cu/Al
	TXV Q'ty...Size	ton	1...10	2...7.5	2...7.5	2...7.5	2...7.5	2...10	2...12	2...15	2...20	2...25	4...15
Fan	No. of circuit		1	2	2	2	2	2	2	2	2	4	
	Fan Size	inch	10"x10"	12"x12"	15"x15"	12"x12"	15"x15"	15"x15"	18"x18"	18"x18"	FDA450-SM2	FDA500-SM2	FDA500-SM2
	Fan Q'ty		2	2	2	2	2	2	2	2	2	2	
	Standard speed	rpm	789	715	638	715	638	705	641	641	630	630	720
Motor	Standard motor size	hp	2	3	3	3	3	5	7.5	7.5	10	15	20
	Motor speed	rpm	1,450	1,450	1,450	1,450	1,450	1,450	1,450	1,450	1,450	1,450	1,450
	Motor range	hp	2 - 3	3 - 5	3 - 5	3 - 5	3 - 5	3 - 5	7.5 - 10	7.5 - 10	10 - 15	10 - 15	15-20
Accessories	Fan Pulley		225-1B-25	250-1B-30	280-1B-30	250-1B-30	280-1B-30	250-1B-30	280-2B-35	280-2B-35	280-2B-35	280-2B-35	16-3B-40
	Motor Pulley		125-1B-24	125-1B-28	125-1B-28	125-1B-28	125-1B-28	125-1B-28	125-2B-38	125-2B-38	125-2B-38	125-2B-38	8-3B-42
	Belt		B-48	B-54	B-44	B-54	B-44	B-41	B-72	B-72	B-72	B-72	B-101
	Belt Q'ty		1	1	1	1	1	1	2	2	2	2	3
Insulation	Type		PE Foam										
	Thermal Conductivity		0.036 w/m.K										
	Thickness		10mm										
Air Filter	Type		Washable Aluminium Filter										
	Q'ty ... Size	inch	1...10"x22"x1"	2...10"x22"x1"	3...16"x25"x1"	2...10"x22"x1"	3...16"x25"x1"	3...16"x25"x1"	2...16"x20"x2"	2...16"x20"x2"	2...16"x20"x2"	2...16"x20"x2"	12...20"x20"x2"
	(Width x Height x Thickness)		1...16"x22"x1"	1...10"x25"x1"	3...20"x25"x1"	1...10"x25"x1"	3...20"x25"x1"	3...20"x25"x1"	6...20"x25"x2"	6...20"x25"x2"	6...20"x25"x2"	6...20"x25"x2"	6...20"x25"x2"
			1...16"x25"x1"	2...16"x22"x1"	2...16"x22"x1"	1...16"x25"x1"	1...16"x25"x1"	1...16"x25"x1"					
Pipe Connection	Liquid pipe dia.	Q'ty...inch	1 ... 1/2"	2...1/2"	2...1/2"	2...1/2"	2...1/2"	2...1/2"	2...5/8"	2...5/8"	2...7/8"	2...7/8"	4...5/8"
	Suction pipe dia.	Q'ty...inch	1 ... 1-1/8"	2...7/8"	2...1-1/8"	2...7/8"	2...1-1/8"	2...1-1/8"	2...1-1/8"	2...1-3/8"	2...1-5/8"	2...1-5/8"	4...1-3/8"
	Condensate drain dia.		3/4"	3/4"	1"	3/4"	1"	1"	2"	2"	1-1/2"	1-1/2"	1-1/2"
	Condensate drain connection type		Female Pipe Thread					Male Pipe Thread					

Coil connection



Model Nomenclature

38LHU Model Nomenclature

Digit	:	1	2	3	4	5	6	7	8	9	10	11
Model	:	3	8	L	H	U	1	2	0	S	3	0

Air cooled condensing unit
38LHU series

Unit size = 120, 150, 200

0 = Revision 0
3 = 380V / 3Ph / 50Hz

S = Scroll compressor

38ASU Model Nomenclature

Digit	:	1	2	3	4	5	6	7	8	9	10	11
Model	:	3	8	A	S	U	2	0	0	S	3	0

Air cooled condensing unit
38ASU series

Unit size = 150, 200, 250, 300, 400, 500, 600

0 = Revision 0
3 = 380V / 3Ph / 50Hz

S = Scroll compressor, T = Scroll compressor (Tandem)

40RBU Model Nomenclature

Digit	:	1	2	3	4	5	6	7	8	9	10	11	12	13	14
Model	:	4	0	R	B	U	0	2	5	X	-	3	0	R	V

Air Handling unit R410a
40RBU series

Unit size = 012, 015, 020, 025, 030, 040, 050, 060, 080

X = Direct Expansion coil

3 = 380V / 3Ph / 50Hz

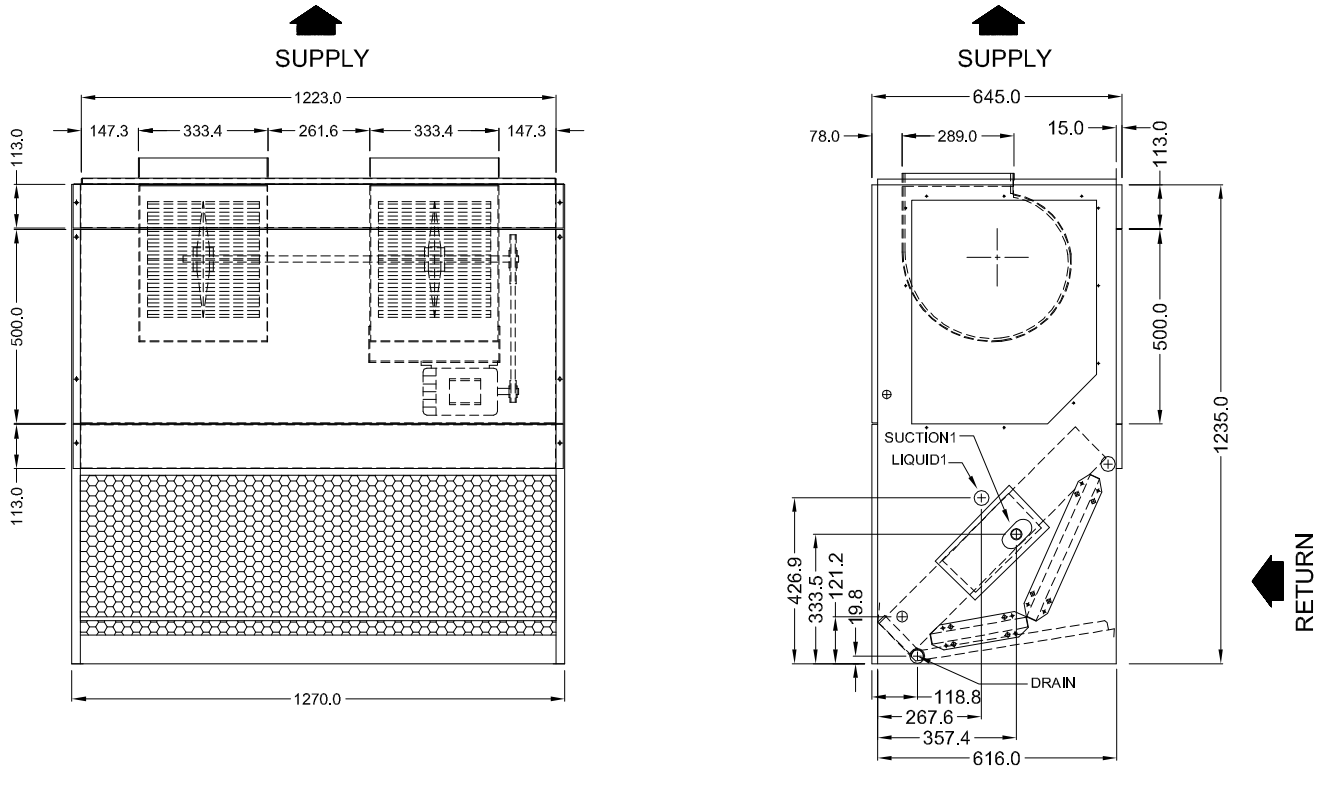
Unit type
V = Vertical, H = Horizontal

Coil connection :
R = Right, L = Left

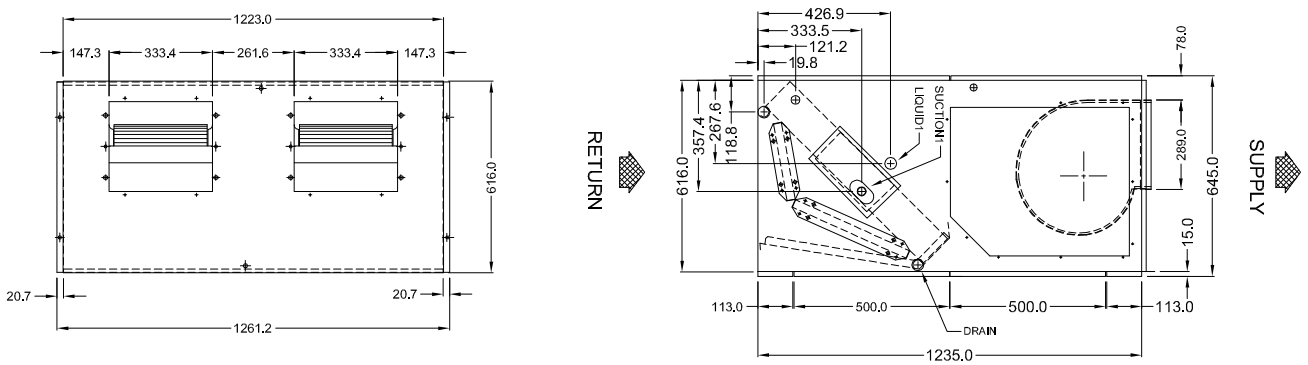
0 = Revision 0

Unit dimensions

40RBU012 Vertical Type

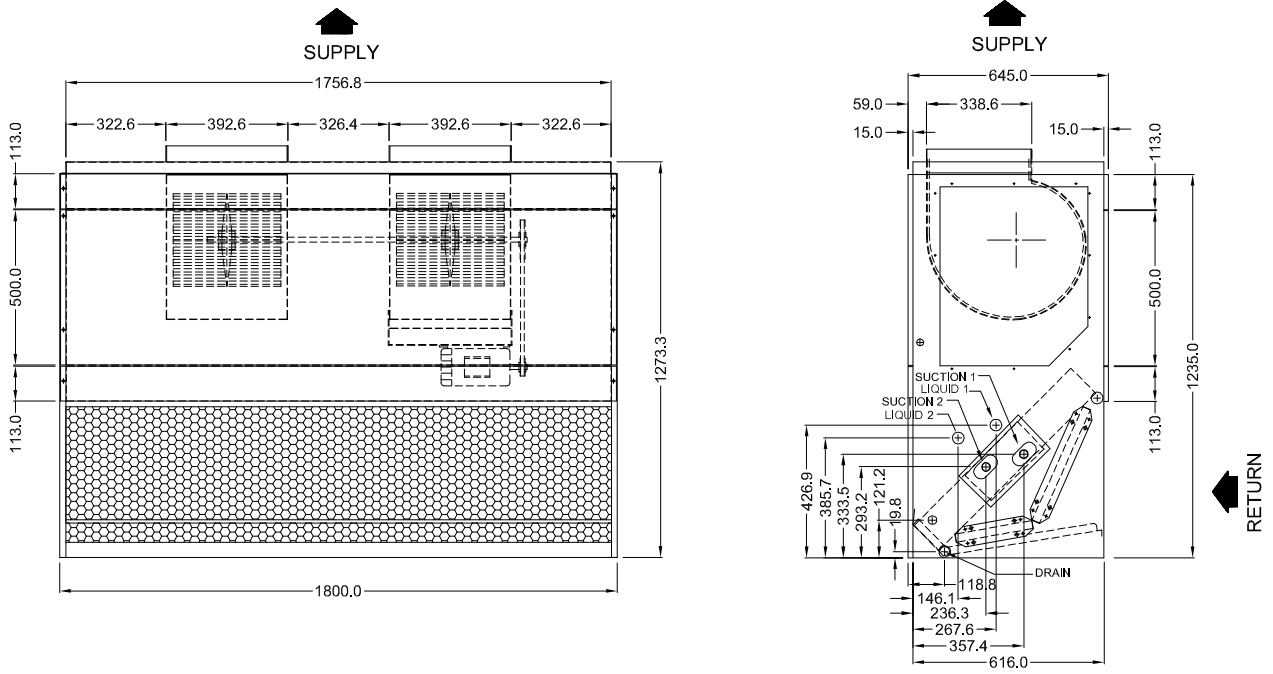


40RBU012 Horizontal Type

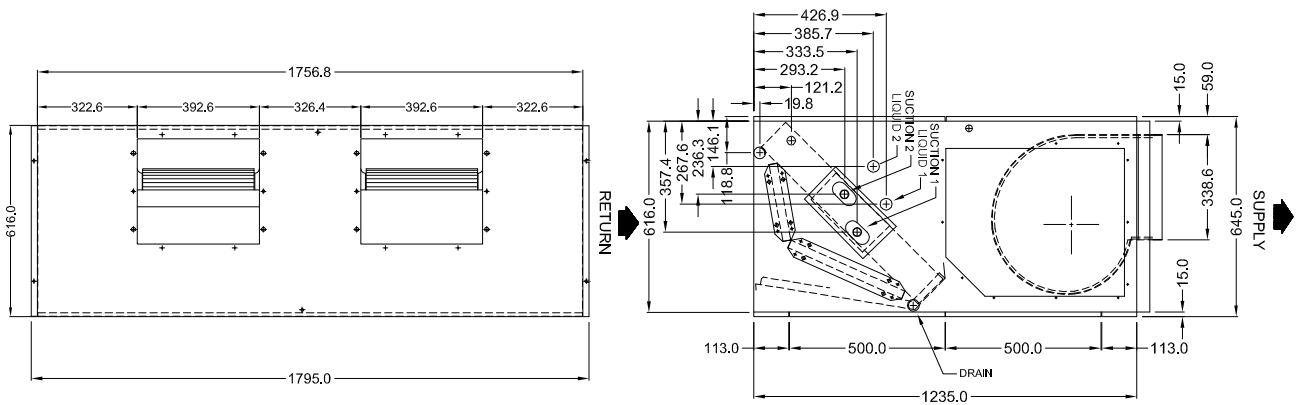


Unit dimensions

40RBU015 Vertical Type

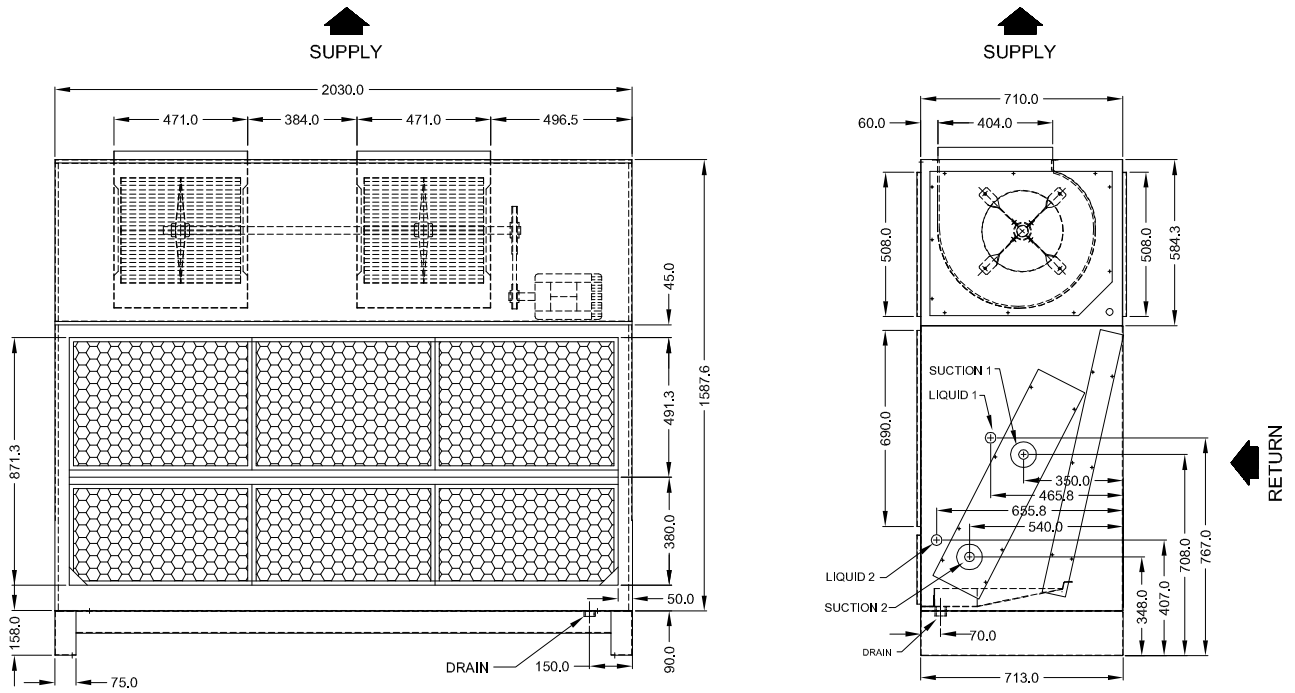


40RBU15 Horizontal Type

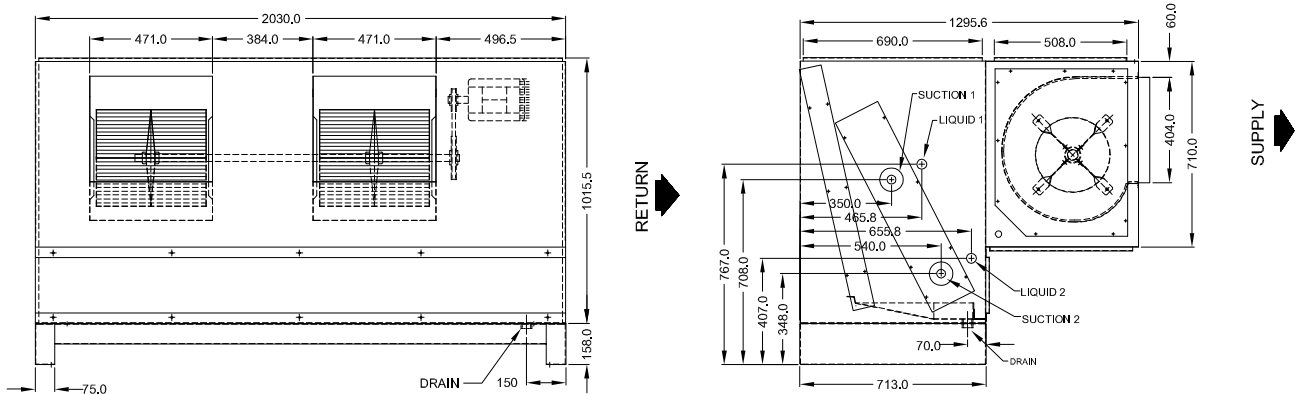


Unit dimensions

40RBU020, 025 Vertical Type

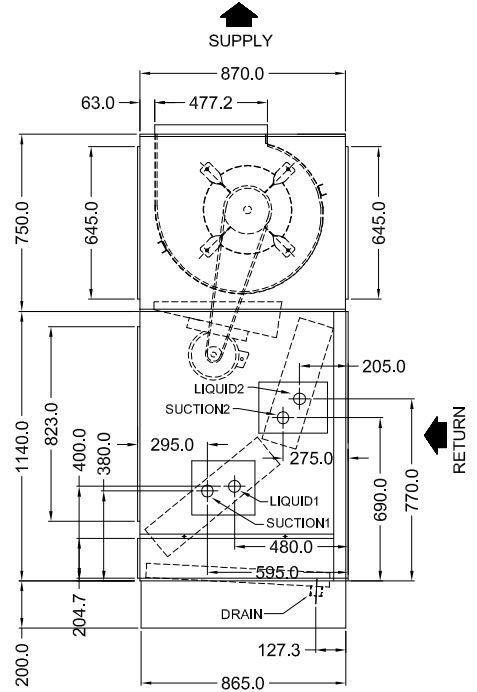
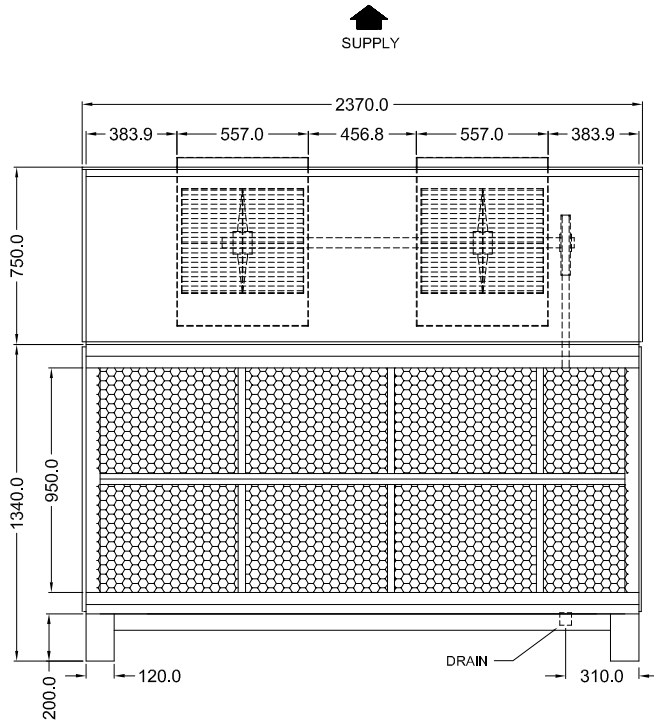


40RBU020, 025 Horizontal Type

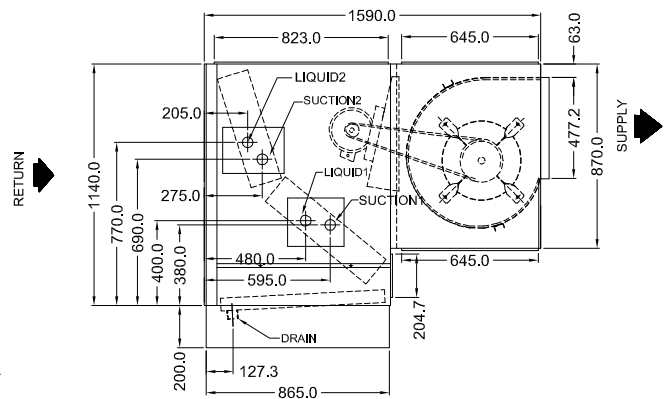
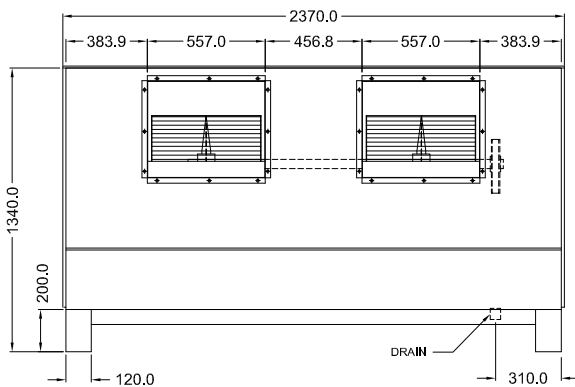


Unit dimensions

40RBU030, 040 Vertical Type

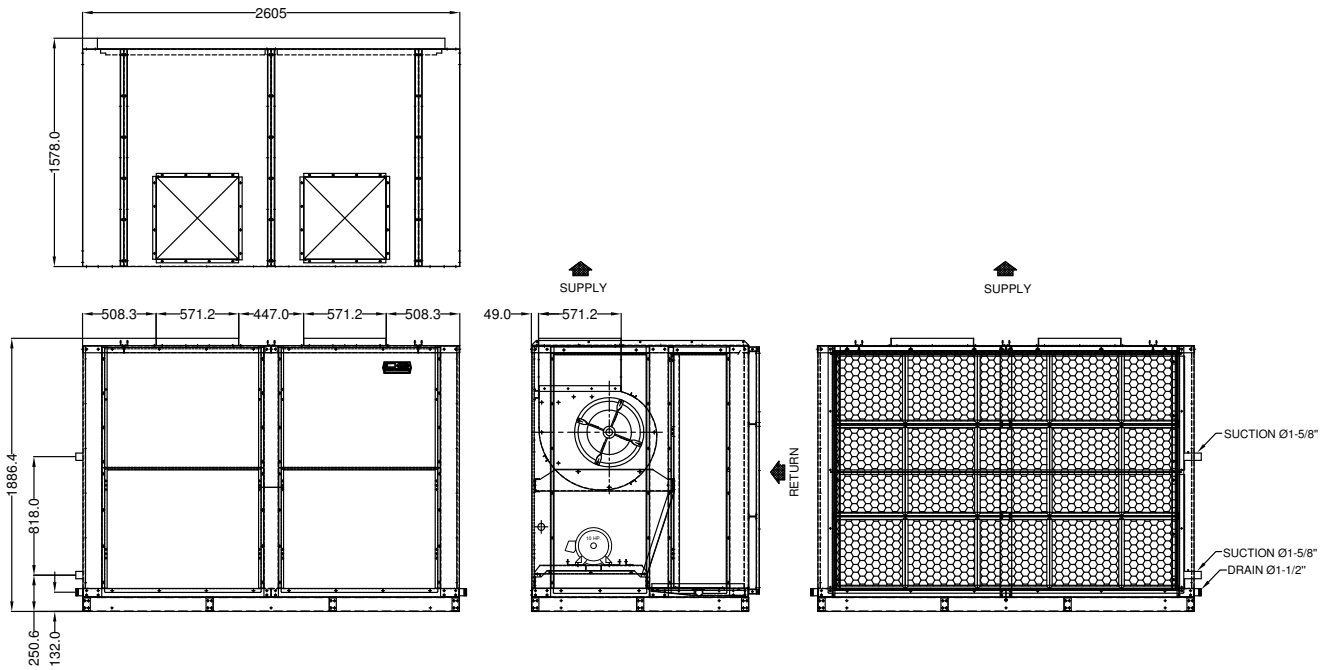


40RBU030, 040 Horizontal Type

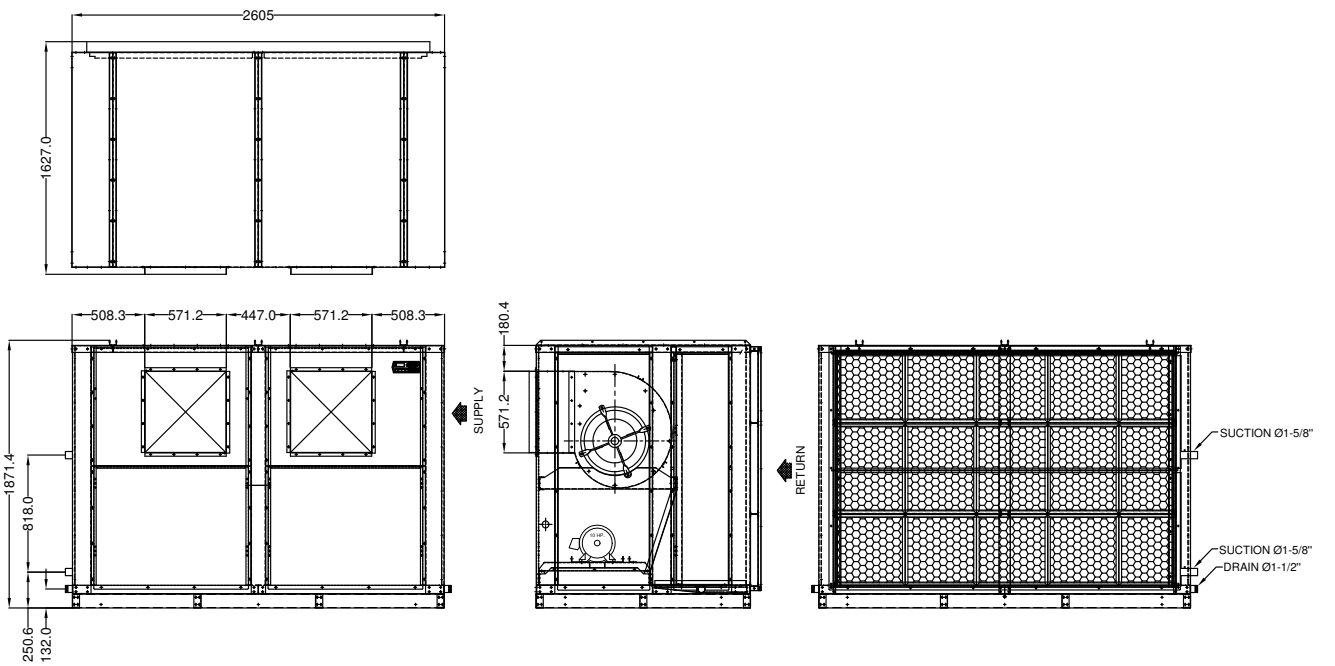


Unit dimensions

40RBU050 Vertical Type

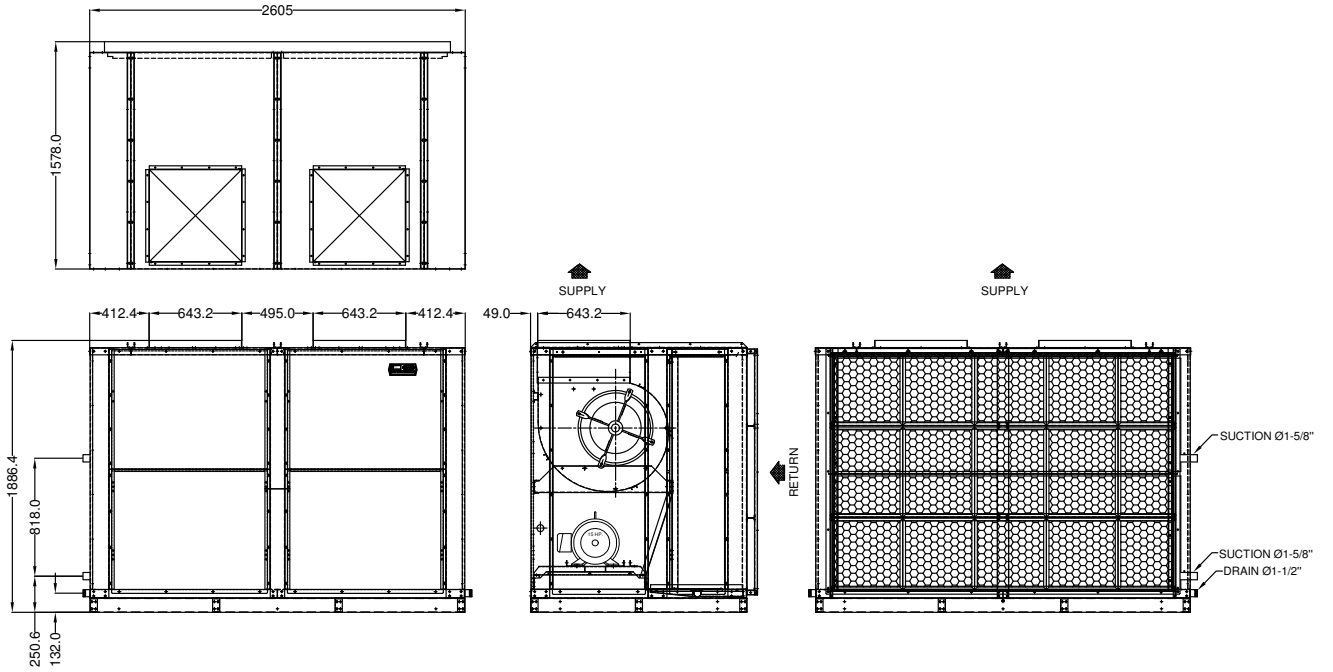


40RBU050 Horizontal Type

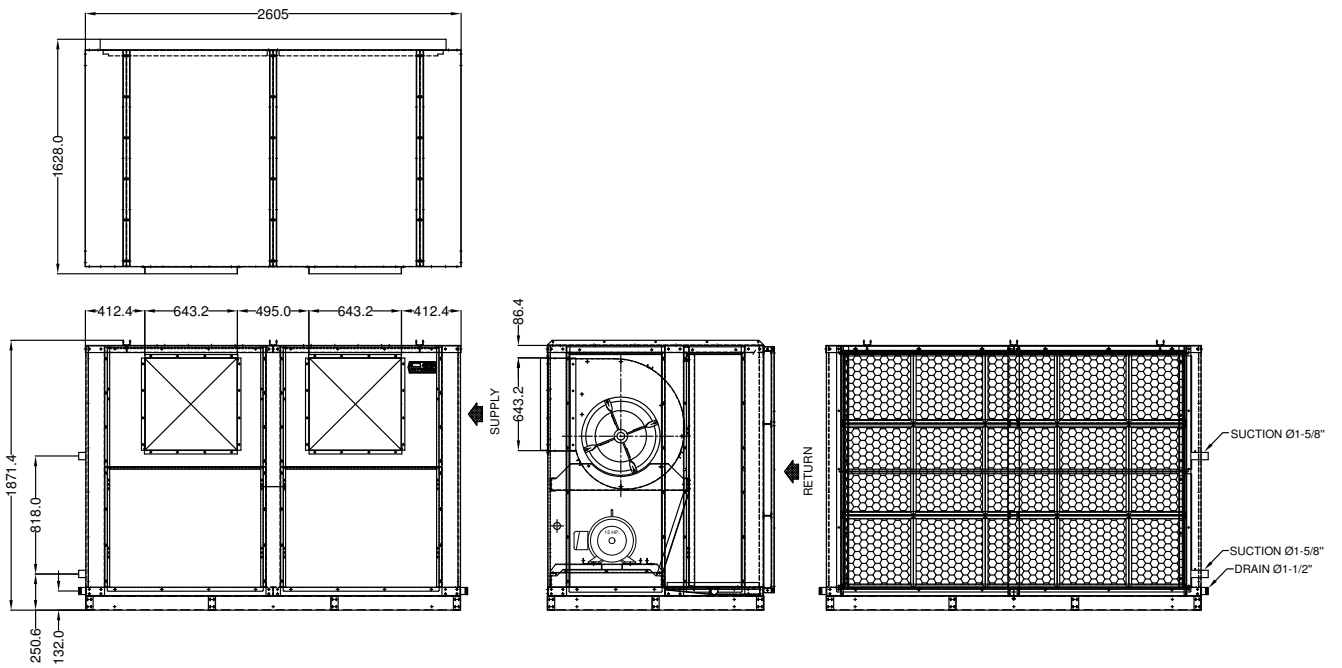


Unit dimensions

40RBU060 Vertical Type

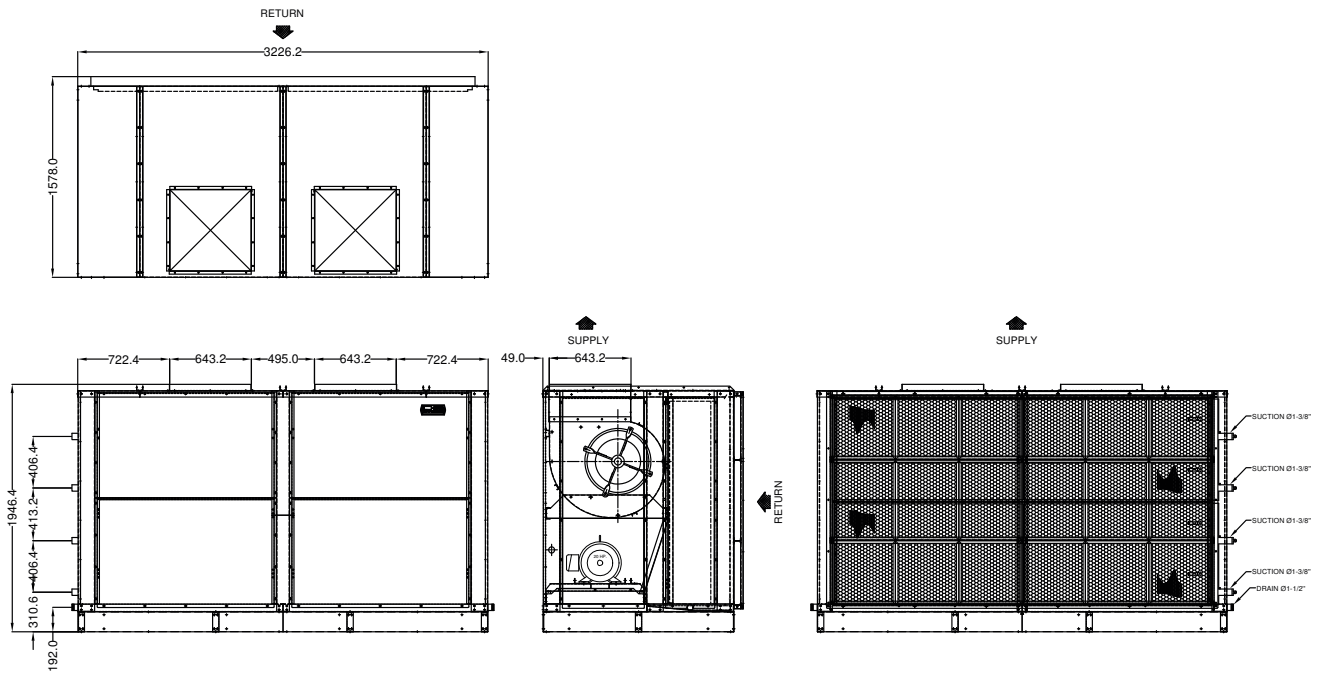


40RBU060 Horizontal Type

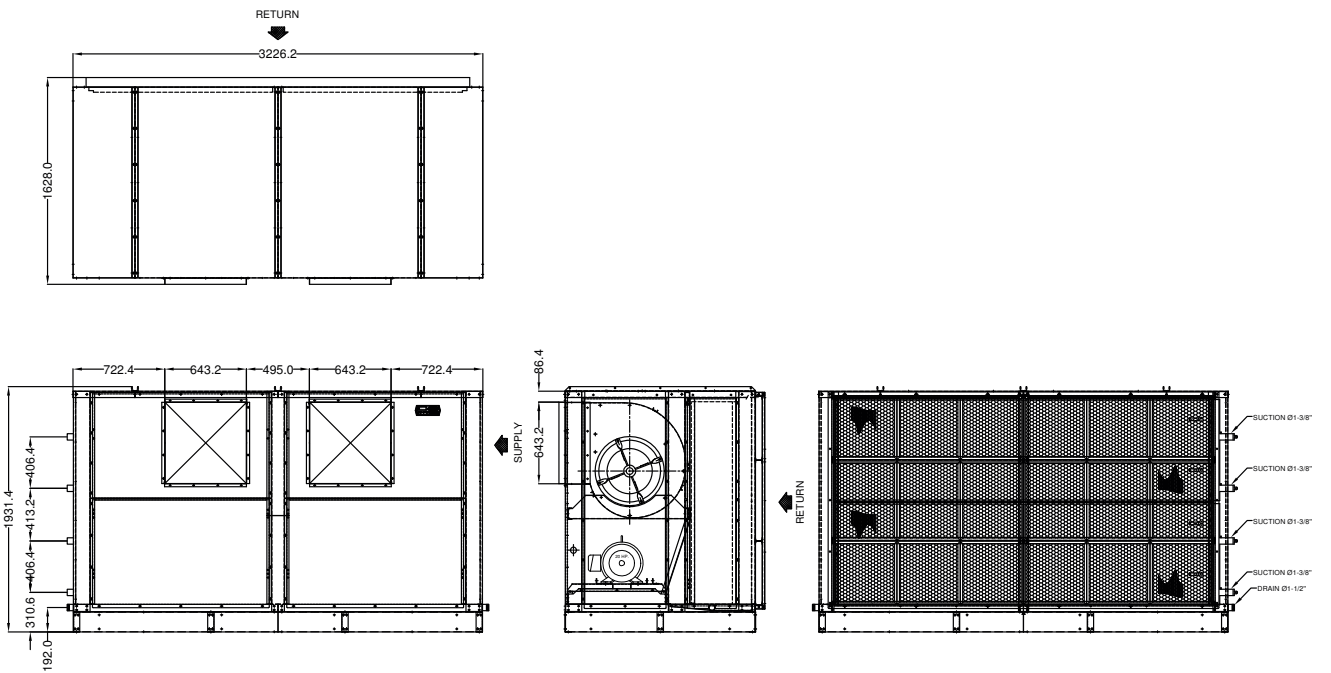


Unit dimensions

40RBU080 Vertical Type

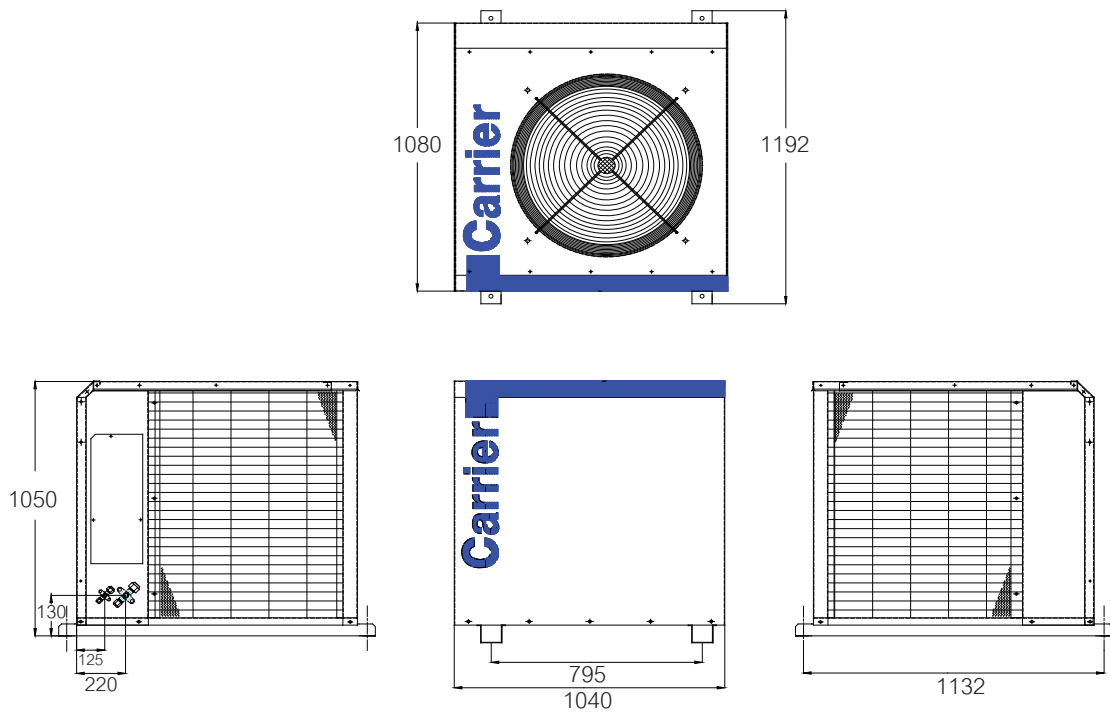


40RBU080 Horizontal Type

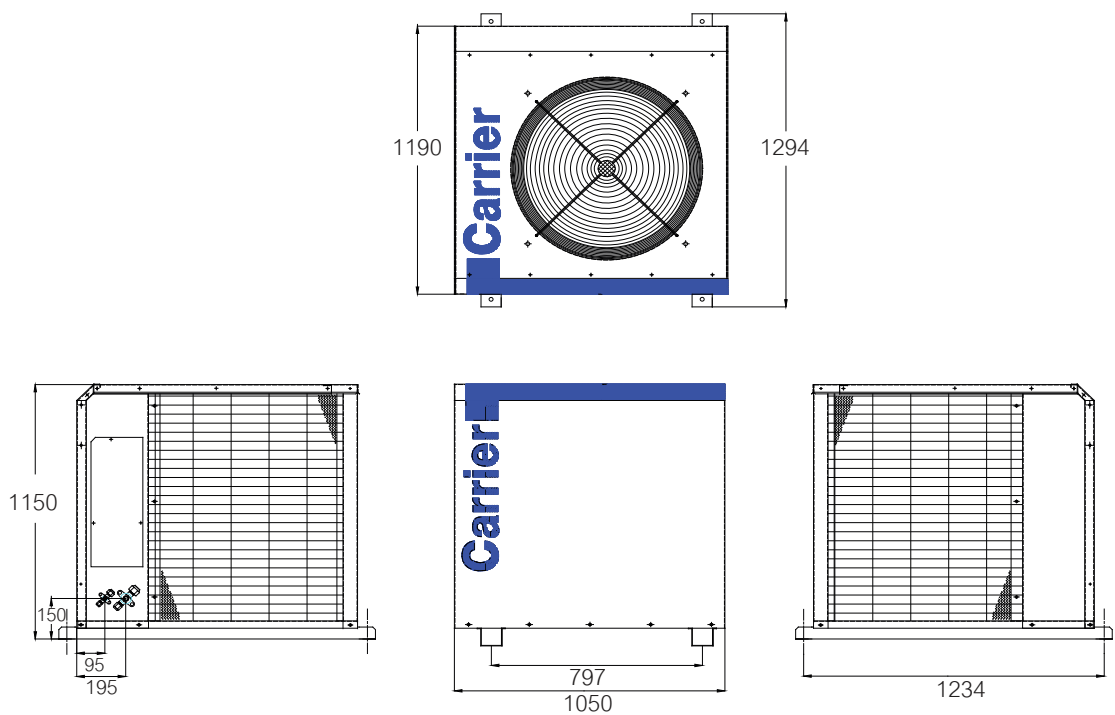


Unit dimensions

38LHU120S301

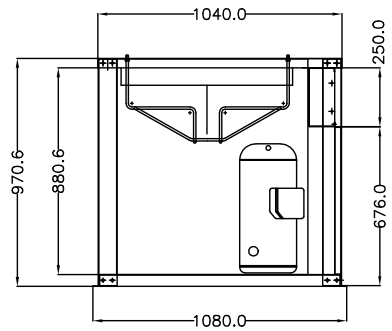
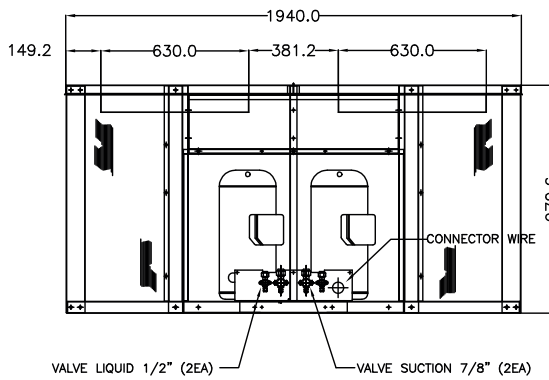
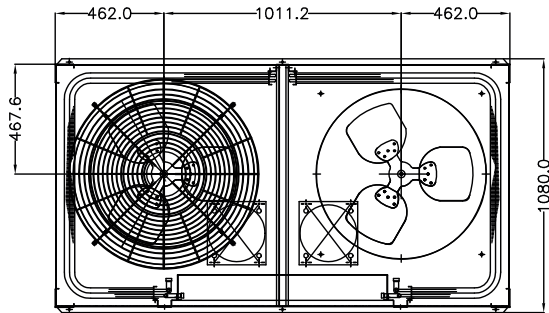


38LHU150S301, 38LHU200S301

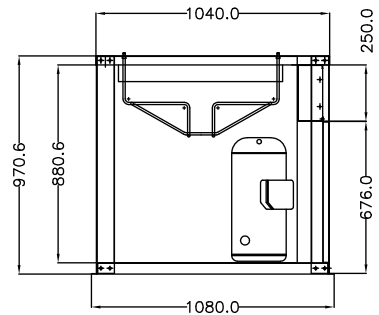
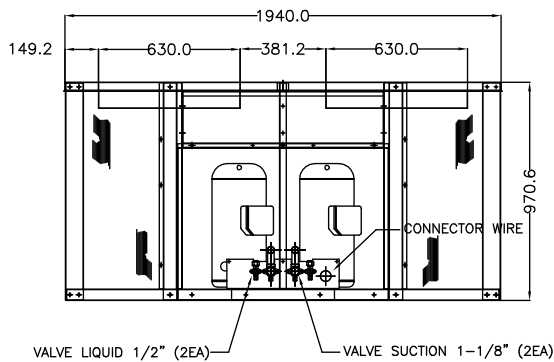
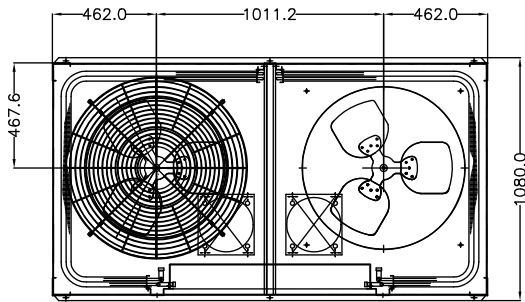


Unit dimensions

38ASU150S301

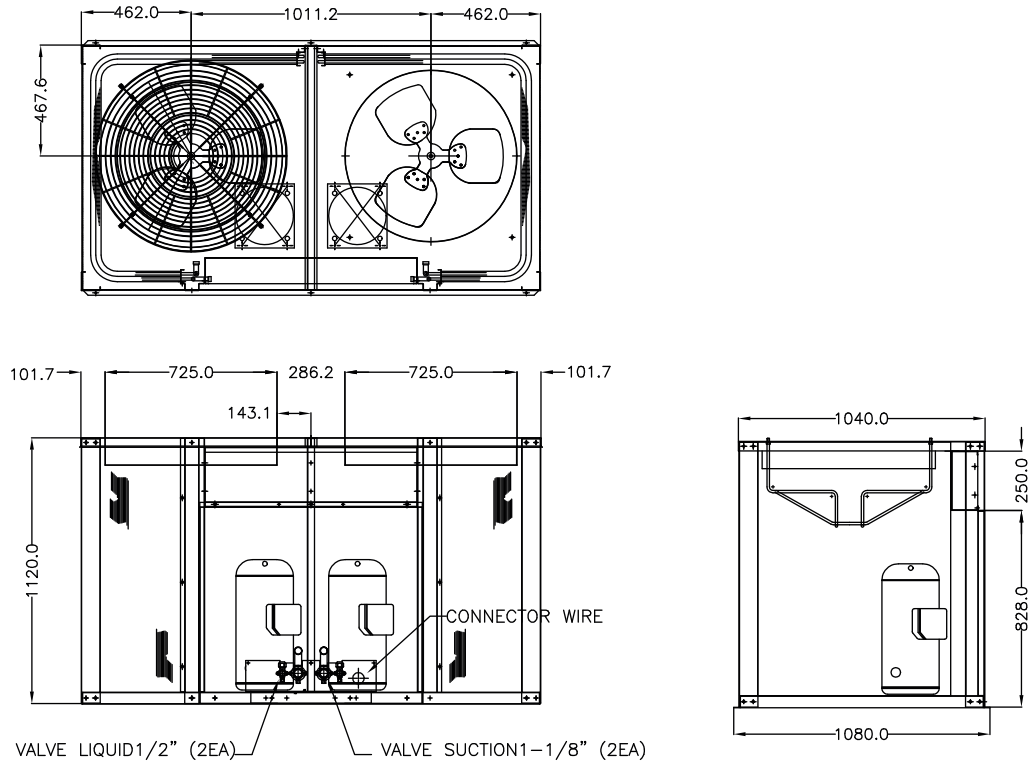


38ASU200S301

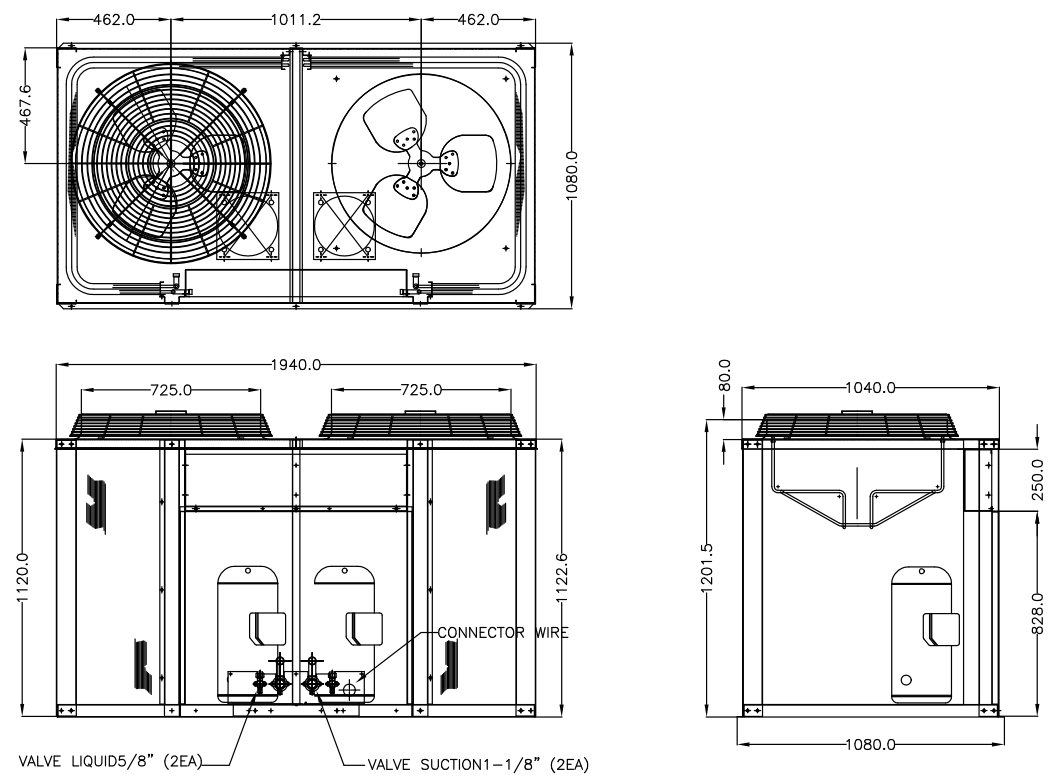


Unit dimensions

38ASU240S301

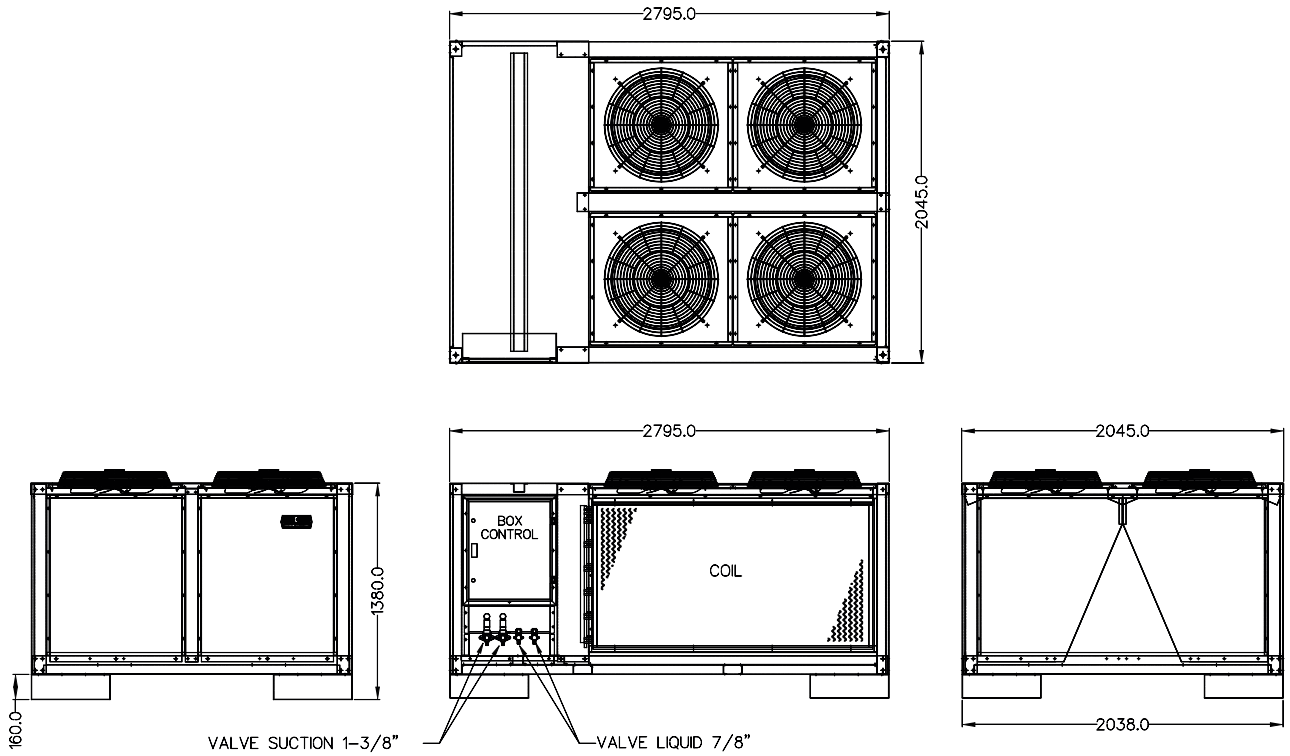


38ASU300S301

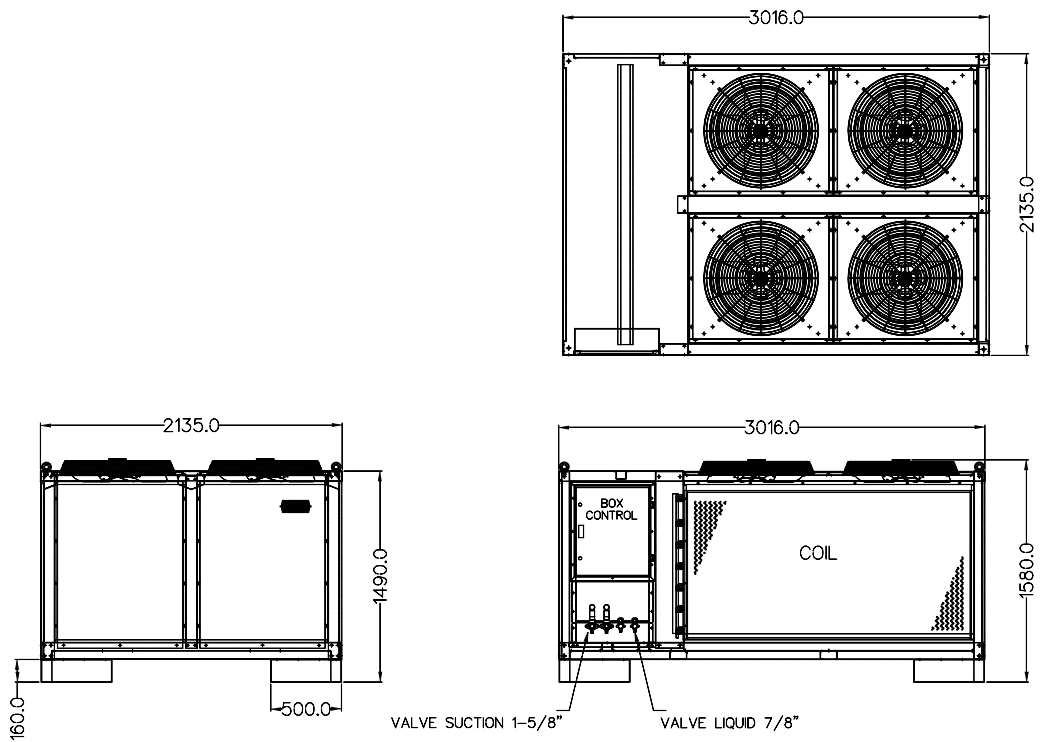


Unit dimensions

38ASU400S301



38ASU500-600S301





บริษัท แครีเยอร์ (ประเทศไทย) จำกัด
1858/63-74 ชั้น 14, 15
ถ.เทพรัตน กม. 4.5 แขวงบางนาใต้
เขตบางนา กรุงเทพฯ 10260
โทร. 0-2090-9999 แฟกซ์: 0-2751-4778

Carrier (Thailand) Ltd.
1858/63-74 , 14th, 15th Floor,
Debaratna Road, Km.4.5, Bangna Tai,
Bangna Bangkok 10260 Thailand
Tel. 0-2090-9999 Fax: 0-2751-4778

บริษัท ขอสงวนสิทธิ์ที่จะเปลี่ยนแปลงรายละเอียดข้างต้น โดยไม่ต้องแจ้งให้ทราบล่วงหน้า
Carrier reserves the right to make changes in specifications without prior notice.



YOUR CARRIER MAN :